



ÜRÜN KATALOĐU PRODUCT CATALOGUE



PDF'i Görüntülemek
için QR kodu okutun

"AKIŐA BİZİMLE YÖN VERİN"
"Lead The Flow With Us"

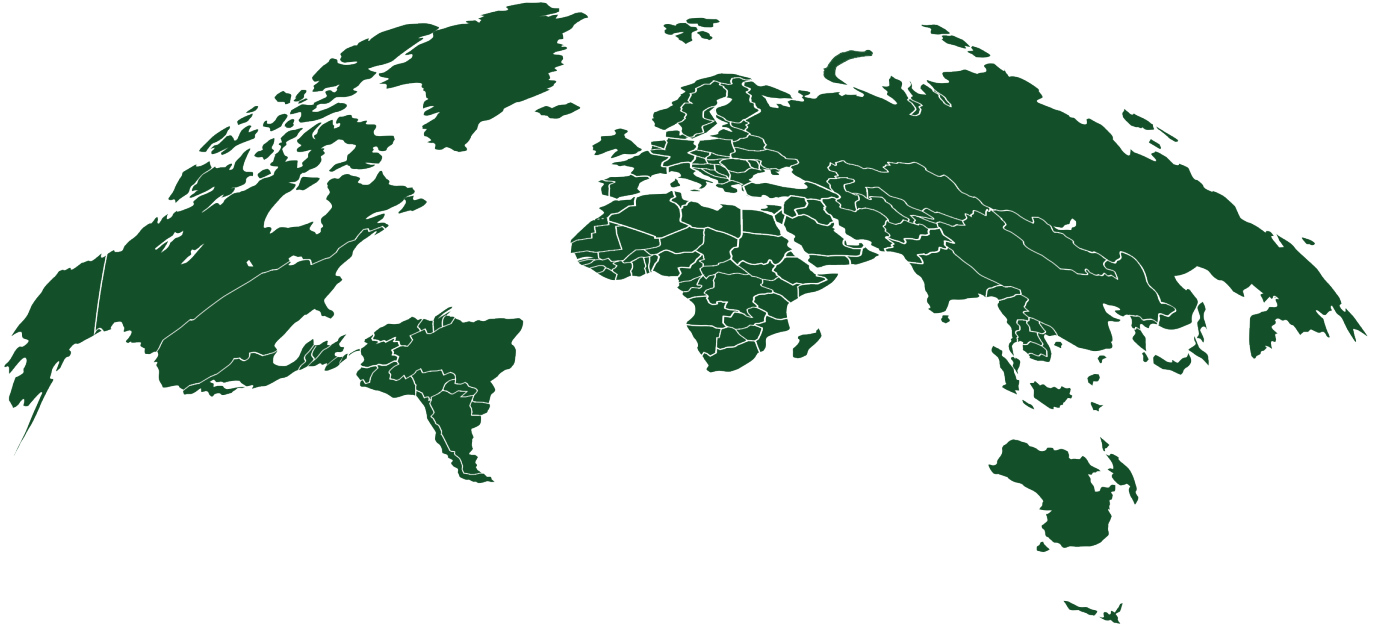
www.dmgvalve.com

AkıŖa Bizimle Yn Verin / Lead The Flow With Us



DMG Valve is at your service for all your valve and pipe fitting equipment needs; with its high technical knowledge, quick response, and fast delivery.

DMG Valve vana ve boru baęlantı ekipmanları ile ilgili tm taleplerinizde; yksek teknik bilgisi, hızlı geri dnŖ ve hızlı teslimatı ile hizmetinizdedir.





AkıŖa Bizimle Yn Verin / Lead The Flow With Us

ABOUT US

At DMG VALVE, we work to meet our customers' expectations and needs at the highest level with our 12 years of experience. Our principles revolve around ensuring the continuity of customer satisfaction, focusing on continuous improvement to maintain a leading position in our industry, and providing fast, accurate, and cost-effective responses to our customers' needs and demands.

Our vision is to be a pioneering organization in the valve and pipe fitting industry, offering our customers quality, reliable, and innovative solutions. Accordingly, we hold a leading position in the sales and service of valve products suitable for use in ships, yachts, boats, and industrial facilities, along with all other valve and pipe fitting components.

With our high-quality products, expert team, and extensive customer portfolio, we occupy a leading position in our industry. By offering customized solutions that cater to our customers' needs and demands, we further strengthen our business partnerships.

Our customer-focused approach, high-quality standards, and dedication to continuous improvement allow us to always strive to meet our customers' expectations. As DMG VALVE, we will continue to maintain a leading position in our industry and keep providing the best service to our customers.

HAKKIMIZDA

DMG VALVE olarak, 12 yıllık tecrbemizle mŖterilerimizin beklenti ve ihtiyalarını en st seviyede karŖılamak iin alıŖıyoruz. MŖteri memnuniyetinin devamlılıđını sađlamak, srekli geliŖime odaklanarak sektrmzde lider konumda olmak ve mŖterilerimizin ihtiya ve taleplerine hızlı, dođru ve en uygun fiyatlarla geri dnŖ sađlamak prensiplerimizi benimsiyoruz.

Vizyonumuz, vana ve boru bađlantı paraları sektrnde nc bir kuruluŖ olarak mŖterilerimize kaliteli, gvenilir ve yeniliki zmler sunmaktır. Bu dođrultuda, gemi, yat, tekne ve endstriyel tesislerde kullanımına uygun vana rnlerinin yanı sıra tm vana ve boru bađlantı paraları satıŖ ve hizmetine ynelik nc bir konumda yer alıyoruz.

Kaliteli rnlerimiz, uzman ekibimiz ve geniŖ mŖteri portfymz ile sektrmzde nc bir konumda yer alıyoruz. MŖterilerimizin ihtiya ve taleplerine uygun, zelleŖtirilmiŖ zmler sunarak iŖ ortaklıklarımızı daha da glendiriyoruz.

MŖteri odaklı yaklaŖımımız, yksek kalite standartlarımız ve srekli geliŖime olan odaklanmamızla mŖterilerimizin beklentilerini her zaman karŖılamaya alıŖıyoruz. DMG VALVE olarak, sektrmzde nc bir konumda yer almaya devam edeceđiz ve mŖterilerimiz iin en iyi hizmeti sunmaya devam edeceđiz.

İindekiler / Index

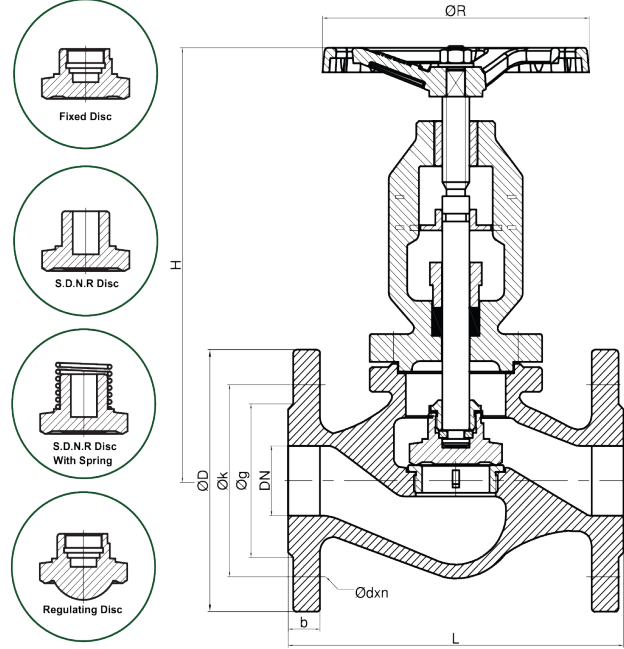
Glob Vana (Dz Tip) / Globe Valve (Straight Type)	04
Glob Vana (Gnye Tip) / Globe Valve (Angle Type)	05
Metal Krkl Vana (Dz Tip) / Metal Bellow Sealed Globe Valve (Straight Type)	06
Metal Krkl Vana (Gnye Tip) / Metal Bellow Sealed Globe Valve (Angle Type)	07
ek Vana (Dz Tip) / Lift Check Valve (Straight Type)	08
ek Vana (Gnye Tip) / Lift Check Valve (Angle Type)	09
Disli Kutusu-Redktr / Gear Box	10
ift Flanslı Kelebek Vana / Double Flanged Butterfly Valve	11
Wafer Tip Kelebek Vana / Wafer Type Butterfly Valve (DN25-DN200)	12
Wafer Tip Kelebek Vana / Wafer Type Butterfly Valve (DN250-DN600)	13
Lug Tip Kelebek Vana DN40-DN200 / Lug Type Butterfly Valve DN40-DN200	14
Lug Tip Kelebek Vana DN250-DN700 / Lug Type Butterfly Valve DN250-DN700	15
Srgl Vana PN10/16 (DIN 3216) / Gate Valve PN10/16 (DIN3216)	16
Seviye Gstergeli Srgl Vana / Gate Valve With Indicator	17
Srgl Vana (Bronz) / Gate Valve (Bronze)	18
Pislik Tutucu / Y Type Filter	19
Flanslı Kresel Vana F4 / Flanged Ball Valve F4	20
Kresel Vana (3 Paralı, Flanslı, Tepe Flanslı) / Ball Valve (3 PCS Body, Flanged, W/Mounting Pad)	21
Kresel Vana (Bronz, DiŖli) / Ball Valve (Bronze, Threaded)	22
Kresel Vana (2 Paralı, Paslanmaz, DiŖli) / Ball Valve (2 PCS Body, St.Steel, Threaded)	23
Ani Kapama Vanası (Gnye Tip) / Quick Closing Valve (Angle Type)	24
Ani Kapama Vanası(Dz Tip)(BV,TL,RMRS Tip Onaylı)/Quick Closing Valve(Straight Type)(BV,TL,RMRS Type Approved)	25
Yangın Vanası (Dz Tip, Bronz, Flanslı) / Fire Hose Valve (Straight, Bronze, Flanged)	26
Yangın Vanası (Gnye Tip, Bronz, Flanslı) / Fire Hose Valve(Angle Type , Bronze,Flanged)	27
alpara ek Valf / Swing Check Valve	28
alpara ek Valf (Kısa Tip) / Swing Check Valve (Short Type)	29
Kresel Vana (Wafer) / Ball Valve (Wafer)	30
Kresel Vana (Monoblok) / Ball Valve (Monoblock)	31
Kresel Vana (3 yollu , Flanslı , T-L Port) / Ball Valve (3 Way , Flanged , T-L Port)	32
Kresel Vana(3 Paralı,Paslanmaz,Flanslı,Tepe Flanslı) / Ball Valve(3 PCS Body,St.Steel,Flanged,W/Mounting Pad)	33
Kresel Vana(2 Paralı,Paslanmaz,Flanslı,Tepe Flanslı) / Ball Valve(2 PCS Body,St.Steel,Flanged,W/Mounting Pad)	34
Kresel Vana(3 Paralı,Paslanmaz,Disli,Tepe Flanslı) / Ball Valve(3 PCS Body,St.Steel,Threaded,W/Mounting Pad)	35
JIS Srgl Vana / JIS Type Gate Valve	36



İçindekiler / Index

JIS Tip Glob Vana(Bronz, Düz Tip) / JIS Type Globe Valve(Bronze, Straight Type)	37
JIS Tip Glob Vana(Bronz, Gönye Tip) / JIS Type Globe Valve(Bronze, Angle Type)	38
JIS Tip Glob Vana (Düz Tip) / JIS Type Globe Valve (Straight Type)	39
JIS Tip Glob Vana (Gönye Tip) / JIS Type Globe Valve (Angle Type)	40
Wafer Tip Çalpara Çek Valf / Wafer Type Swing Check Valve	41
JIS Tip Yangın Vanası(Düz Tip) / JIS Type Fire Hose Valve(Straight Type)	42
JIS Tip Yangın Vanası(Gönye Tip) / JIS Type Fire Hose Valve(Angle Type)	43
Çamur Sandığı (Düz Tip) / Mud Box (Straight Type)	44
Çamur Sandığı (Gönye Tip) / Mud Box (Angle Type)	45
Kauçuk Kompansatör / Rubber Expansion Joint	46
Metal Körüklü Kompansatör / Metal Bellow Expansion Joint	47
Tuvalet Çalparası-Fırtına Vanası (Düz Tip) / Storm Valve (Straight Type)	48
Tuvalet Çalparası-Fırtına Vanası (Gönye Tip) / Storm Valve (Angle Type)	49
Hava Firar Başlığı / Air Vent Pipe Head	50
Ejektör (Bronz) / Ejector (Bronze)	51
Deniz Suyu Filtresi / Sea Water Filter	52
Boru Bağlama Kaplini / Pipe Coupling	53
Agrılıklı Iskandil Vanası (Bronz) / Sounding Cock (Bronze)	54
Çift Klapeli Çek Valf / Dual Plate Check Valve	55
Mafsal / Joint	56
Kumanda Kolu / Deck Stand Remote Control	57
Rot Baslı Kumanda Kolu / Rod Head Remote Control	58
JIS Tip Tuvalet Çalparası (Düz Tip) / JIS Type Storm Valve (Straight Type)	59
JIS Tip Tuvalet Çalparası (Gönye Tip) / JIS Type Storm Valve (Angle Type)	60
JIS Tip Yangın Vanası (Bronz, Düz Tip) / JIS Type Fire Hose Valve (Bronze, Straight Type)	61
JIS Tip Yangın Vanası(Bronz, Gönye Tip) / JIS Type Fire Hose Valve(Bronze,Angle Type)	62
JIS Normu Disk Tip Hava Firar / JIS Disc Type Air Vent Head	63
DN Disk Tip Hava Firar / DN Disc Type Air Vent Head	64
DIN Normu Flanş Ölçüleri / Flange Dimensions Acc. To DIN	65
ANSI Normu Flanş Ölçüleri / Flange Dimensions Acc. To ANSI	66
JIS Normu Flanş Ölçüleri / Flange Dimensions Acc. To JIS	67

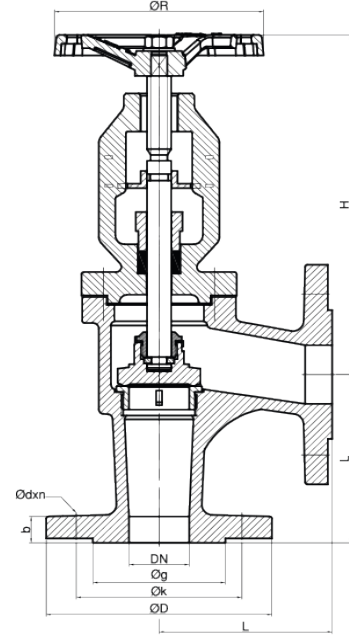
Glob Vana (Dz Tip) / Globe Valve (Straight Type)



PARA ADI	PART NAME	MALZEME / MATERIAL	DN	ØD	Øk	Øg	L	b	ØR	H	STROK	Ødxn	KG
GVDE	BODY	GG25/GGG40.3/GS-C25/RG5-10/CF8/CF8M	15	95	65	45	130	14	110	202	9	14x4	4,11
SİT	SEAT	BRONZE / AISI 420	20	105	75	58	150	16	110	202	9	14x4	5,11
MİL	STEM	AISI 420 / Ms58	25	115	85	68	160	16	110	211	11	14x4	6,4
İNDİKATR	INDICATOR	ST37	32	140	100	78	180	18	140	216	11	18x4	7,75
KAPAK	BONNET	GG25/GGG40.3/GS-C25/RG5-10/CF8/CF8M	40	150	110	88	200	18	140	249	18	18x4	10,06
KLAPE	DISC	RG5 / AISI 420	50	165	125	102	230	20	160	254	19	18x4	13,06
RİNG	RİNG	RG5 / AISI 420	65	185	145	122	290	20	160	271	22	18x4	18,41
EMNİYET PULU	WASHER SAFETY	Ms58 / AISI 420	80	200	160	138	310	20	200	311	26	18x8	22,13
TESPİT VİDASI	SECURING SCREW	RG5 / AISI 304	100	220	180	158	350	24	220	344	32	18x8	36,7
CONTA	GASKET	KLİNGERİT / GRAPHİTE	125	250	210	188	400	26	250	420	34	18x8	55
SETUSKUR	SCREW	AISI 304	150	285	240	212	480	26	300	498	42	22x8	77,5
SALMASTRA	PACKİNG	GRAPHİTE	200	340	295	268	600	30	400	550	55	22x12	140
GLEN	GLAND	GGG40.3	250	405	355	320	730	32	500	585	65	26x12	200
T CİVATA	T BOLT	6.8 STEEL	300	460	410	370	850	32	500	640	78	26x12	250
CİVATA	BOLT	8.8 STEEL	350	520	470	430	980	36	500	875	100	26x16	385
HENDİL	HANDWHEEL	GG25	400	580	525	482	1100	38	500	955	115	29,5x16	408



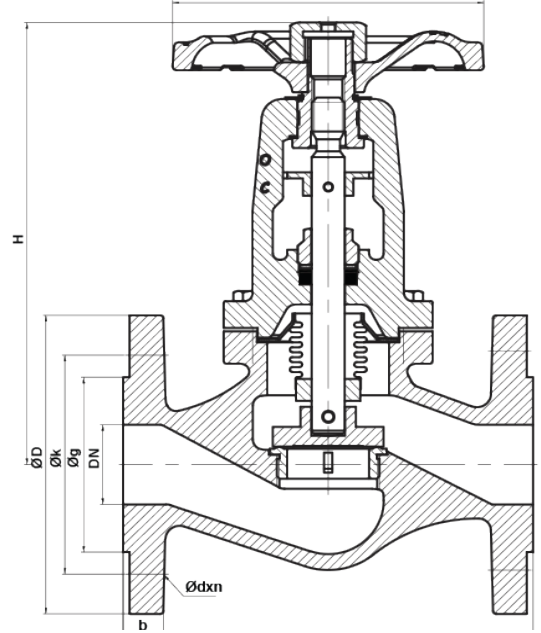
Glob Vana (Gnye Tip) / Globe Valve (Angle Type)



PARÇA ADI	PART NAME	MALZEME / MATERIAL	DN	ØD	Øk	Øg	L	b	ØR	H	STROK	Ødxn	KG
GVDE	BODY		15	95	65	45	90	14	110	184	9	14x4	4,26
SİT	SEAT	BRONZE / AISI 420	20	105	75	58	95	16	110	184	9	14x4	5,11
MİL	STEM	AISI 420 / MS58	25	115	85	68	100	16	110	197	11	14x4	6,3
İNDİKATR	INDICATOR	ST37	32	140	100	78	105	18	140	200	11	18x4	7,6
KAPAK	BONNET		40	150	110	88	115	18	140	232	18	18x4	9,46
KLAPE	DISC	RG5/AISI 420	50	165	125	102	125	20	160	235	19	18x4	12,06
CONTA	GASKET	KLINGERİT / GRAPHITE	65	185	145	122	145	20	160	248	22	18x4	16,91
SETSKUR	SCREW	AISI 304	80	200	160	138	155	22	200	287	26	18x8	20,63
SALMASTRA	PACKING	GRAPHITE	100	220	180	158	175	24	220	320	32	18x8	36
GLEN	GLAND	GGG40.3	125	250	210	188	200	26	250	340	34	18x8	54
T CİVATA	T BOLT	6.8 STEEL	150	285	240	212	225	26	300	405	42	22x8	72
CİVATA	BOLT	8.8 STEEL	200	340	295	268	275	30	400	440	55	22x12	116
HENDİL	HANDWHEEL	GG25	250	405	355	320	325	32	500	510	65	26x12	169
SOMUN & PUL	NUT & WASHER	STEEL	300	460	410	370	375	32	500	575	78	26x12	240
			350	520	470	430	425	36	500	775	100	26x16	325
			400	580	525	482	475	38	500	840	115	29,5x16	394



Metal Körüklü Vana (Düz Tip) / Metal Bellow Sealed Globe Valve (Straight Type)

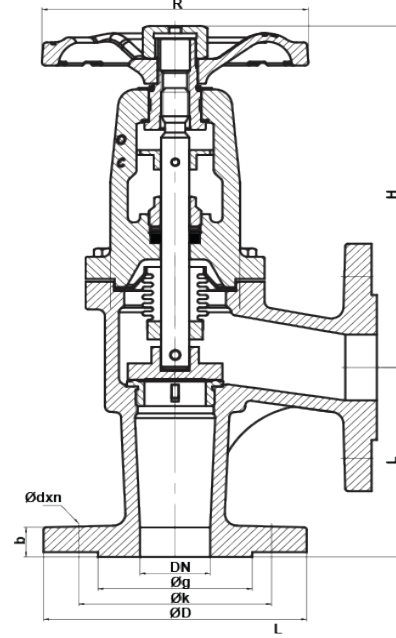


PARÇA ADI	PART NAME	MALZEME / MATERIAL		PARÇA ADI	PART NAME	MALZEME / MATERIAL	
		PN16	PN25			PN16	PN25
GÖVDE	BODY	GG25	GGG40.3	İNDİKATÖR	INDICATOR	STEEL	STEEL
SİT	SEAT	AISI 420	AISI 420	PİM	PIN	AISI 304	AISI 304
KAPAK	BONNET	GG25	GGG40.3	SALMASTRA BASKISI	PACKING JOINT	STEEL	STEEL
MİL	STEM	AISI 420	AISI 420	KLAPE	DISC	AISI 420	AISI 420
KÖRÜK	BELLOWS	AISI 316Ti	AISI 316Ti	SARMA PİM	SPRING PIN	AISI 304	AISI 304
CONTA	GASKET	GRAPHITE	GRAPHITE	HENDİL	HANDWHEEL	GG25	GG25
SALMASTRA	PACKING	GRAPHITE	GRAPHITE	HENDİL SOMUNU	HANDWHEEL NUT	STEEL	STEEL
PUL	WASHER	ST37	ST37	CİVATA	BOLT	8.8 STEEL GALV.	8.8 STEEL GALV.
PUL	WASHER	SPRING ST.	SPRING ST.	SETSKUR	GRUP SCREW	8.8 STEEL	8.8 STEEL
KAPAK BURCU	BONNET BUSH	STEEL	STEEL	GRESÖRLÜK	LUBRICATING NIPPLE	STEEL	STEEL
SEGMAN	RETAINING RING	SPRING ST.	SPRING ST.				

DN	L	ØR	H	STROK	PN16					PN25					PN40					KG			
					ØD	Øk	Øg	b	n	Ød	ØD	Øk	Øg	b	n	Ød	ØD	Øk	Øg		b	n	Ød
15	130	125	190	6	95	65	45	14	4	14	95	65	45	16	4	14	95	65	45	16	4	14	4,6
20	150	125	190	6	105	75	58	16	4	14	105	75	58	18	4	14	105	75	58	18	4	14	5,35
25	160	125	195	8	115	85	68	16	4	14	115	85	68	18	4	14	115	85	68	18	4	14	6,25
32	180	125	195	8	140	100	78	18	4	18	140	100	78	20	4	18	140	100	78	20	4	18	7,2
40	200	150	220	13	150	110	88	18	4	18	150	110	88	20	4	18	150	110	88	20	4	18	11,2
50	230	150	225	13	165	125	102	20	4	18	165	125	102	22	4	18	165	125	102	22	4	18	15
65	290	175	240	16	185	145	122	20	4	18	185	145	122	24	8	18	185	145	122	24	8	18	20,6
80	310	175	260	20	200	160	138	22	8	18	200	160	138	26	8	18	200	160	138	26	8	18	23,6
100	350	225	315	25	220	180	158	24	8	18	235	190	162	28	8	22	235	190	162	28	8	22	36,5
125	400	225	420	32	250	210	188	26	8	18	270	220	188	30	8	22	270	220	188	30	8	25	55
150	480	300	500	40	285	240	212	26	8	22	300	250	218	34	8	28	300	250	218	34	8	25	77,5
200	600	500	550	50	340	295	268	30	12	22	360	310	278	34	12	28	375	320	285	40	12	30	140



Metal Körüklü Vana (Gönye Tip) / Metal Bellow Sealed Globe Valve (Angle Type)

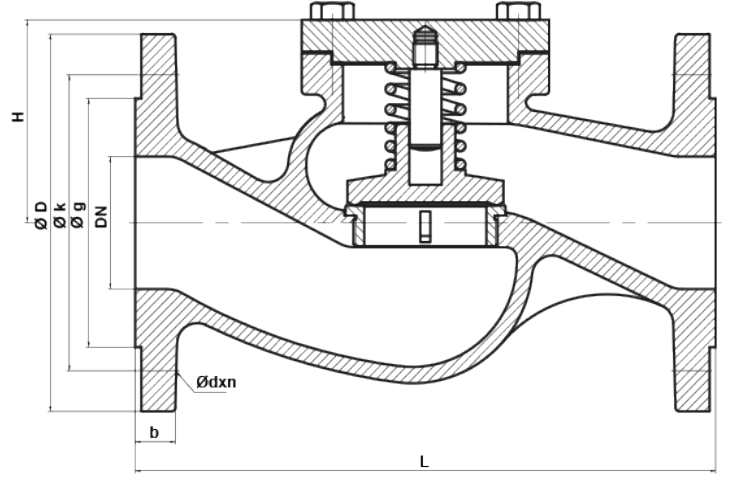


PARÇA ADI	PART NAME	MALZEME / MATERIAL		PARÇA ADI	PART NAME	MALZEME / MATERIAL	
		PN16	PN25			PN16	PN25
GÖVDE	BODY	GG25	GGG40.3	İNDİKATÖR	INDICATOR	STEEL	STEEL
SİT	SEAT	AISI 420	AISI 420	PİM	PIN	AISI 304	
KAPAK	BONNET		GGG40.3	SALMASTRA BASKISI	PACKING JOINT	STEEL	STEEL
MİL	STEM	AISI 420	AISI 420	KLAPE	DISC	AISI 420	
KÖRÜK	BELLOWS	AISI 316Ti	AISI 316Ti	SARMA PİM	SPRING PIN	AISI 304	
CONTA	GASKET	GRAPHITE	GRAPHITE	HENDİL	HANDWHEEL	GG25	GG25
SALMASTRA	PACKING	GRAPHITE	GRAPHITE	HENDİL SOMUNU	HANDWHEEL NUT	STEEL	STEEL
PUL	WASHER	ST37	ST37	ÇİVATA	BOLT	8.8 STEEL GALV.	
PUL	WASHER	SPRING ST.	SPRING ST.	SETSKUR	GRUP SCREW	8.8 STEEL	
KAPAK BURCU	BONNET BUSH	STEEL	STEEL	GRESÖRLÜK	LUBRICATING NIPPLE	STEEL	STEEL
SEGMAN	RETAINING RING	SPRING ST.	SPRING ST.				

DN	L	ØR	H	STROK	PN16					PN25					PN40					KG			
					ØD	Øk	Øg	b	n	Ød	ØD	Øk	Øg	b	n	Ød	ØD	Øk	Øg		b	n	
15	90	125	165	6	95	65	45	14	4	14	95	65	45	16	4	14	95	65	45	16	4	14	4,75
20	95	125	165	6	105	75	58	16	4	14	105	75	58	18	4	14	105	75	58	18	4	14	5,35
25	100	125	177	8	115	85	68	16	4	14	115	85	68	18	4	14	115	85	68	18	4	14	6,15
32	105	125	175	8	140	100	78	18	4	18	140	100	78	20	4	18	140	100	78	20	4	18	7
40	115	150	205	13	150	110	88	18	4	18	150	110	88	20	4	18	150	110	88	20	4	18	10,7
50	125	150	208	13	165	125	102	20	4	18	165	125	102	22	4	18	165	125	102	22	4	18	14
65	145	175	220	16	185	145	122	20	4	18	185	145	122	24	8	18	185	145	122	24	8	18	19
80	155	175	230	20	200	160	138	22	8	18	200	160	138	26	8	18	200	160	138	26	8	18	22
100	175	225	275	25	220	180	158	24	8	18	235	190	162	28	8	22	235	190	162	28	8	22	35,8
125	200	225	340	32	250	210	188	26	8	18	270	220	188	30	8	28	270	220	188	30	8	25	54
150	225	300	407	40	285	240	212	26	8	22	300	250	218	34	8	28	300	250	218	34	8	25	72
200	275	500	440	50	340	295	268	30	12	22	360	310	278	34	12	28	375	320	285	40	12	30	116



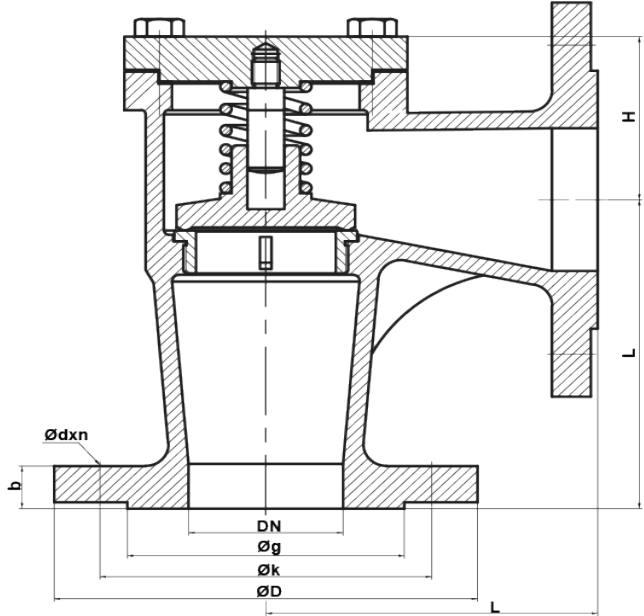
ek Vana (Dz Tip) / Lift Check Valve (Straight Type)



PARA ADI	PART NAME	MALZEME / MATERIAL	DN	ØD	Øk	Øg	L	b	H	STROK	Ødxn	KG
GVDE	BODY	GG25/GGG40.3/RG5-10	15	95	65	45	130	14	64	7	14x4	3,5
SİT	SEAT	BRONZE / AISI 420	20	105	75	58	150	16	64	7	14x4	4
KAPAK	BONNET	ST 37	25	115	85	68	160	16	67	9	14x4	5
MİL	STEM	AISI 420 / MS58	32	140	100	78	180	18	72	10	18x4	8
YAY	SPRING	AISI 304	40	150	110	88	200	18	84	12	18x4	9
KLAPE	DISC	RG5 / AISI 420	50	165	125	102	230	20	89	18	18x4	13
CONTA	GASKET	KLINGRIT	65	185	145	122	290	20	100	20	18x4	18,5
CİVATA	BOLT	8.8 STEEL	80	200	160	138	310	22	106	22	18x8	20
			100	220	180	158	350	24	134	27	18x8	32
			125	250	210	188	400	26	151	32	18x8	47
			150	285	240	212	480	26	196	42	22x8	72
			200	340	295	268	600	30	246	52	22x12	110
			250	405	355	320	730	32	242	65	26x12	140
			300	460	410	378	850	32	282	78	26x12	230
			350	520	470	438	980	36	380	100	26x16	430
			400	580	525	490	1100	38	420	115	30x16	482



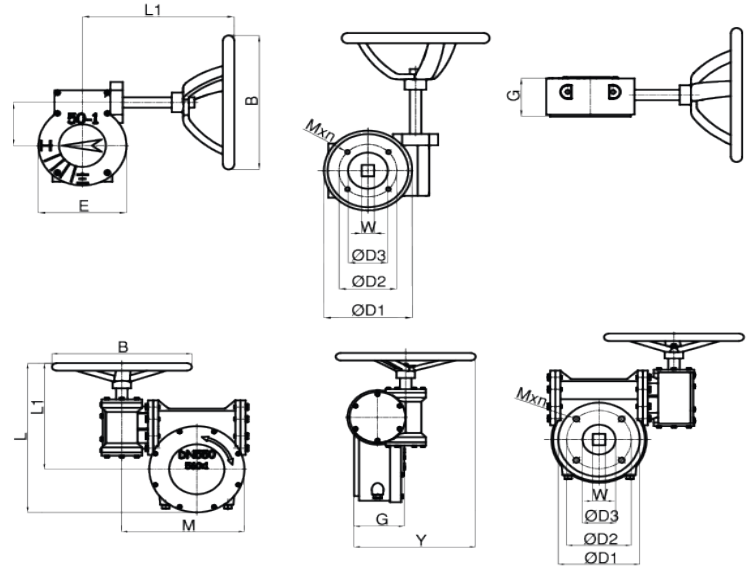
Çek Vana (Gönye Tip) / Lift Check Valve (Angle Type)



PARÇA ADI	PART NAME	MALZEME / MATERIAL	DN	ØD	Øk	Øg	L	b	H	STROK	Ødxn	KG
GÖVDE	BODY	GG25/GGG40.3/RG5-10	15	95	65	45	90	14	50	9	14x4	3,5
SİT	SEAT	BRONZE / AISI 420	20	105	75	58	95	16	50	9	14x4	4
KAPAK	BONNET	ST 37	25	115	85	68	100	16	54	12	14x4	5
MİL	STEM	AISI 420 / MS58	32	140	100	78	105	18	57	13	18x4	8
YAY	SPRING	AISI 304	40	150	110	88	115	18	69	15	18x4	9
KLAPE	DISC	RG5 / AISI 420	50	165	125	102	125	20	71	20	18x4	12
CONTA	GASKET	KLINGRIT	65	185	145	122	145	20	77	22	18x4	16
CİVATA	BOLT	8.8 STEEL	80	200	160	138	155	22	86	25	18x8	20
			100	220	180	158	175	24	110	30	18x8	31
			125	250	210	188	200	26	97	34	18x8	42
			150	285	240	212	225	26	129	42	22x8	54
			200	340	295	268	275	30	155	55	22x12	85
			250	405	355	320	325	32	166	65	26x12	140
			300	460	410	370	375	32	202	78	26x12	220
			350	520	470	430	425	36	252	100	26x16	306
			400	580	525	482	475	38	281	115	29,5x16	466



Disli Kutusu-Redüktör / Gear Box

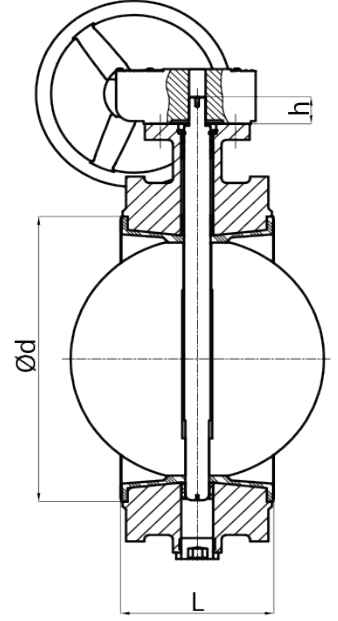
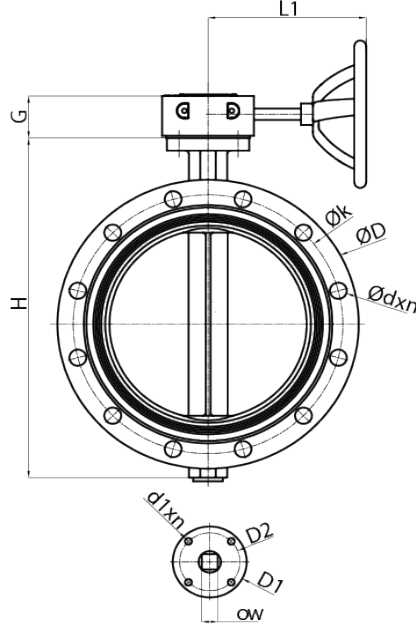


DN	L1	B	C	G	E	D1	D2	D3	W	ISO 5211	Mxn	KG
32	160	145	48	70	105	65	50	35	9	F05	M6x4	4,5
40	160	145	48	70	105	65	50	35	9	F05	M6x4	4,5
50	160	145	48	70	105	65	50	35	9	F05	M6x4	4,5
65	160	145	48	70	105	65	50	35	9	F05	M6x4	4,5
80	160	145	48	70	105	65	50	35	9	F05	M6x4	4,5
100	160	145	48	70	105	90	70	55	11	F07	M8x4	4,5
125	160	145	48	70	105	90	70	55	14	F07	M8x4	4,5
150	160	145	48	70	105	90	70	55	14	F07	M8x4	4,5
200	255	250	65	75	129	125	102	70	17	F10	M10x4	8,5
250	260	285	80	75	157	125	102	70	22	F10	M10x4	11
300	260	285	80	75	157	125	102	70	22	F10	M10x4	11
350	260	285	80	75	157	150	125	85	22	F12	M12x4	11
400	310	390	116	90	252	175	140	100	27	F14	M16x4	22
450	310	390	116	90	252	175	140	100	27	F14	M16x4	22
500	310	390	116	90	252	175	140	100	36	F14	M16x4	22

DN	B	L	L1	M	G	Y	D1	D2	D3	W	ISO 5211	Mxn	KG
550	285	363	256	275	125	271	210	165	130	36	F16	M16x4	47
600	285	363	256	275	125	271	210	165	130	36	F16	M16x4	47
700	425	483	337	376	149	378	300	254	200	46	F25	M16x8	55,5
800	425	532	359	419	155	377	300	254	200	46	F25	M16x8	55,5
1000	425	532	359	419	155	377	300	254	200	60	F25	M16x8	90,5



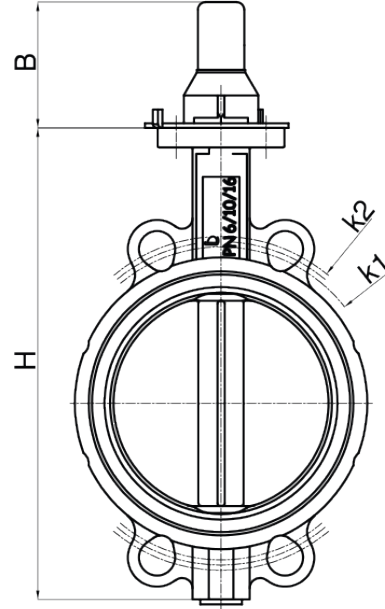
Çift Flanslı Kelebek Vana / Double Flanged Butterfly Valve



PARÇA ADI	PART NAME	MALZEME / MATERIAL	DN	ØD	Øk	H	d	L	L1	Ødxn	D1	D2	W	Ød1xn	h	G	KG
GÖVDE	BODY	GGG40/RG5-10	40	150	110	201	80	110	160	18x4	65	50	9	7x4	23	70	10
UZUN BURÇ	LONG BUSHING	PTFE	50	165	125	203	99	112	160	18x4	65	50	9	7x4	23	70	11
MİL	STEM	AISI416/BRASS	65	185	145	223	118	116	160	18x8	65	50	9	7x4	23	70	13,5
CONTA	GASKET	NBR/EPDM	80	200	160	245	132	118	160	18x8	65	50	9	7x4	23	70	14
KLAPE	DISC	SS316/ALU-BRONZE	100	220	180	269	156	127	160	18x8	90	70	11	10x4	23	70	17,5
KISA BURÇ	SHORT BUSHING	PTFE	125	250	210	295	184	140	160	18x8	90	70	14	10x4	25	70	22
O RING	O RING	NBR/EPDM	150	285	240	333	211	140	160	22x8	90	70	14	10x4	25	70	25,5
PUL	WASHER	GR.33	200	34	295	375	266	152	160	22x12	125	102	17	12x4	30	75	39,5
SEGMAN	CIRCLIP	GR.33	250	405	355	433	319	165	255	26x12	125	102	22	12x4	38	75	52,5
DİŞLİ KUTUSU	GEAR BOXES	GGG40	300	460	410	503	370	178	260	26x12	125	102	22	12x4	38	75	67
CİVATA	BOLT	STEEL	350	520	470	589	429	190	260	26x16	150	125	22	12x4	44	75	91
			400	580	525	640	480	216	310	30x16	175	140	27	18x4	50	90	141
			450	640	585	720	530	222	310	30x20	175	140	27	18x4	52	90	182
			500	715	650	785	582	229	310	33x20	175	140	36	18x4	57	90	200
			600	780	725	940	720	267	256	31x20	210	165	36	22x4	70	125	350
			700	895	840	1070	794	292	337	31x24	300	254	46	18x8	66	149	375
			800	1015	950	1150	871	318	359	33x24	300	254	46	18*8	66	155	400
			900	1115	1050	1323	1001	330	359	34x28	300	254	60	18x8	90	155	700
			1000	1230	1160	1425	1080	410	359	36x28	300	254	60	18*8	90	155	850



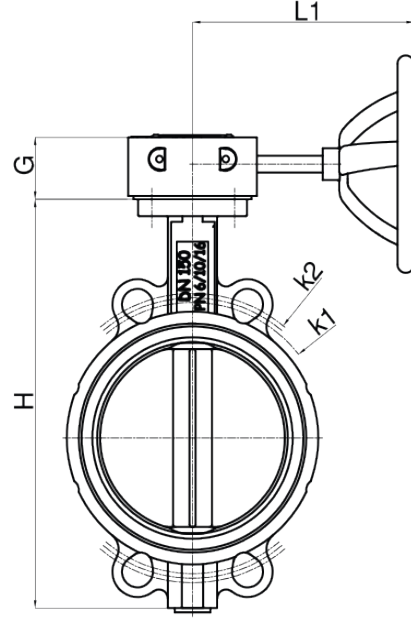
Wafer Tip Kelebek Vana / Wafer Type Butterfly Valve (DN25-DN200)



PARÇA ADI	PART NAME	MALZEME / MATERIAL	DN	H	L1	D	d1	W	L	d	h	B	PN6	PN10	PN16	KG
													Øk1	Øk2	Øk3	
GVDE	BODY	GG25/GGG40/WCB/RG5-10/SS316	25	198	172	50	7	9	35	62	23	68	85	100	100	1,6
UZUN BURÇ	LONG BUSHING	PTFE	32	198	172	50	7	9	35	62	23	68	90	100	100	1,8
MİL	STEM	AISI 420/BRASS	40	198	172	50	7	9	35	72	23	68	100	110	110	2,1
CONTA	GASKET	NBR/VITON/PTFE/EPDM/NR/SİLİKON/SBR	50	198	172	50	7	9	46	76	23	68	110	125	125	2,4
KLAPE	DISC	ALU-BRONZE/SS316/DI/SS304	65	218	172	50	7	9	49	89	23	68	130	145	145	2,9
KISA BURÇ	SHORT BUSHING	PTFE	80	233	172	50	7	9	49	104	23	68	150	160	160	3,3
O RİNG	O RING	NBR/VITON	100	270	218	70	10	11	55	135	23	82	170	180	180	4,9
PUL	WASHER	GR.33	125	303	218	70	10	14	59	159	25	82	200	210	210	6,2
SEGMAN	CIRCLIP	GR.33	150	340	218	70	10	14	59	188	25	82	225	240	240	7,5
KOL	LEVER	ST42 / ALUMINIUM	200	400	322	102	12	17	64	238	36	84	280	295	295	13,8



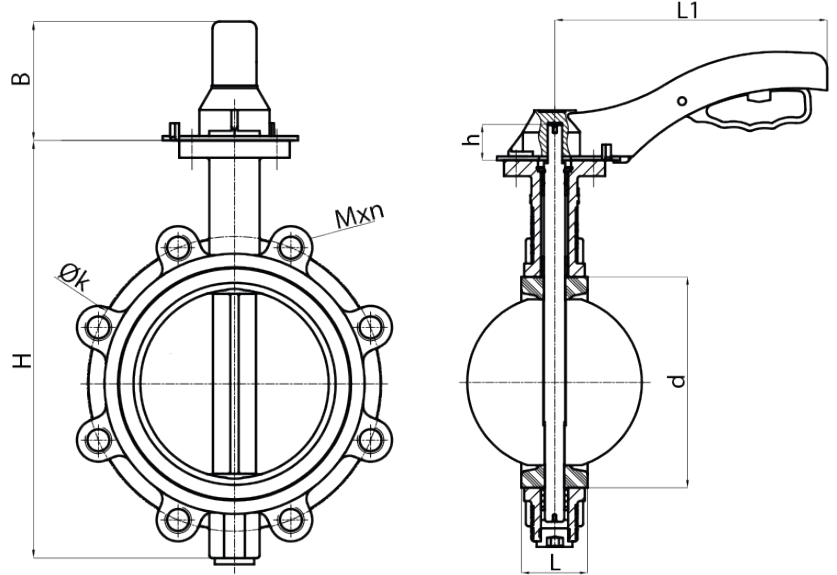
Wafer Tip Kelebek Vana / Wafer Type Butterfly Valve (DN250-DN600)



PARA ADI	PART NAME	MALZEME / MATERIAL	DN	H	L1	D	d1	W	L	d	h	G	PN6	PN10	PN16	KG
GVDE	BODY	GG25/GGG40/WCB/RG5-10/SS316	250	470	260	102	12	22	72	292	38	75	335	350	355	21,5
UZUN BUR	LONG BUSHING	PTFE	300	540	260	102	12	22	81	344	38	75	395	400	410	35,3
MİL	STEM	AISI 420/BRASS	350	610	260	125	14	22	79	375	44	75	445	460	470	46,5
CONTA	GASKET	NBR/VITON/PTFE/EPDM/NR/SİLİKON/SBR	400	680	310	140	18	27	107	440	52	90	495	515	525	75,3
KLAPE	DISC	ALU-BRONZE/SS316/DI/SS304	450	740	310	140	18	27	120	491	52	90	550	565	585	93,5
KISA BUR	SHORT BUSHING	PTFE	500	820	310	140	18	36	133	535	57	90	600	620	650	118,5
O RİNG	O RING	NBR/ VITON	600	1037	337	165	22	36	160	654	70	125	705	725	770	214
PUL	WASHER	GR.33														
SEGMAN	CIRCLIP	GR.33														
REDKTR	GEAR BOX	GGG40														
CİVATA	BOLT	STEEL														



Lug Tip Kelebek Vana DN40-DN200 / Lug Type Butterfly Valve DN40-DN200

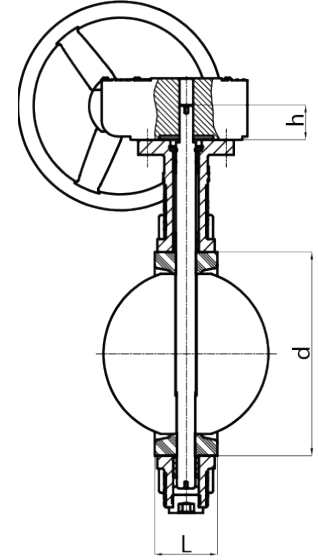
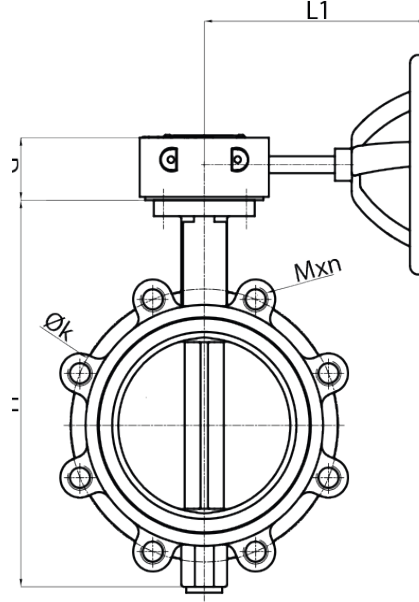


DN	H	L1	D	d1	W	d	L	h	B	Øk	PN10		PN16		5K		10K		KG
											nxM	Øk	nxM	Øk	nxM	Øk	nxM	Øk	
40	198	172	50	7	9	72	35	23	68	110	4xM16	110	4xM16	95	4xM12	105	4xM16	2,3	
50	198	172	50	7	9	76	46	23	68	125	4xM16	125	4xM16	105	4xM12	120	4xM16	2,8	
65	218	172	50	7	9	89	49	23	68	145	8xM16	145	8xM16	130	4xM12	140	4xM16	3,4	
80	233	172	50	7	9	104	49	23	68	160	8xM16	160	8xM16	145	4xM16	150	8xM16	4,5	
100	270	218	70	10	11	135	55	23	82	180	8xM16	180	8xM16	165	8xM16	175	8xM16	6,2	
125	303	218	70	10	14	159	59	25	82	210	8xM16	210	8xM16	200	8xM16	210	8xM20	8,3	
150	340	218	70	10	14	188	59	25	82	240	8xM20	240	8xM20	230	8xM16	240	8xM20	10,1	
200	400	322	102	12	17	238	64	36	84	295	8xM20	295	12xM20	280	8xM20	290	12xM20	17,5	

PARÇA ADI	PART NAME	MALZEME / MATERIAL
GVDE	BODY	GG25/GGG40/WCB/RG5-10/SS316
UZUN BURÇ	LONG BUSHING	PTFE
MİL	STEM	AISI 420/BRASS
CONTA	GASKET	NBR/VITON/PTFE/EPDM/NR/SİLİKON/SBR
KLAPE	DISC	ALU-BRONZE/SS316/DI/SS304
KISA BURÇ	SHORT BUSHING	PTFE
O RİNG	O RING	NBR/VITON
PUL	WASHER	GR.33
SEGMAN	CIRCLIP	GR.33
KOL	LEVER	ST42 / ALUMINIUM
CİVATA	BOLT	STEEL



Lug Tip Kelebek Vana DN250-DN700 / Lug Type Butterfly Valve DN250-DN700



DN	H	L1	D	d1	W	d	L	h	G	PN10		PN16		5K		10K		KG
										Øk	nxM	Øk	nxM	Øk	nxM	Øk	nxM	
250	470	260	102	12	22	292	72	38	75	350	12xM20	355	12xM24	345	12xM20	355	12xM22	26,2
300	540	260	102	12	22	344	81	38	75	400	12xM20	410	12xM24	390	12xM20	400	16xM22	42,7
350	610	260	125	14	22	375	79	44	75	460	16xM20	470	16xM24	435	12xM22	445	16xM22	74
400	680	310	140	18	27	440	107	52	90	515	16xM24	525	16xM27	495	16xM22	510	16xM24	118
450	740	310	140	18	27	491	120	52	90	565	20xM24	585	20xM27	555	16xM22	565	20xM24	140
500	820	310	140	18	36	535	133	57	90	620	20xM24	650	20xM30	605	20xM22	620	20xM24	179
550	880	256	165	22	36	604.5	157	70	125	675	20xM24	680	20xM30	665	20xM24	680	20xM30	170
600	1037	337	165	22	36	654	159	70	125	725	20xM27	770	20xM33	715	20xM24	730	24xM30	272
700	1142	359	254	18	46	744	170	66	149	840	24xM27	840	24xM33	820	24xM24	840	24xM30	300

PARÇA ADI

PART NAME

MALZEME / MATERIAL

GÖVDE

BODY

GG25/GGG40/WCB/RG5-10/SS316

UZUN BURÇ

LONG BUSHING

PTFE

MİL

STEM

AISI 420/BRASS

CONTA

GASKET

NBR/VITON/PTFE/EPDM/RR/SİLİKON/SBR

KLAPE

DISC

ALU-BRONZE/SS316/DI/SS304

KISA BURÇ

SHORT BUSHING

PTFE

O RİNG

O RING

NBR/VITON

PUL

WASHER

GR.33

SEGMAN

CIRCLIP

GR.33

REDÜKTÖR

GEAR BOX

GGG40

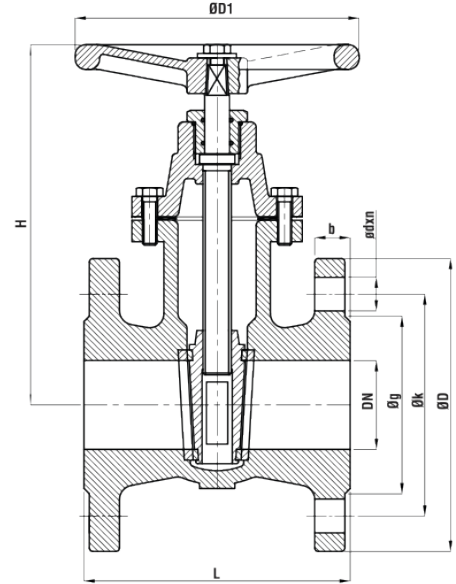
ÇİVATA

BOLT

STEEL



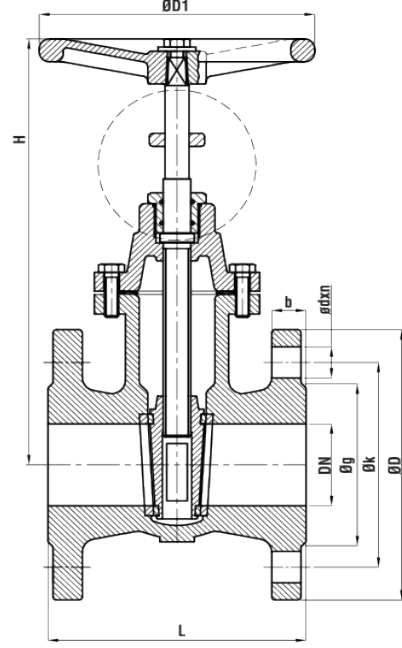
Srgl Vana PN10/16 (DIN 3216) / Gate Valve PN10/16 (DIN3216)



PARÇA ADI	PART NAME	MALZEME / MATERIAL	PN10									
			DN	L	H	ØD ₁	ØD	Øk	Øg	b	Ødxn	KG
GVDE	BODY	GG25/GGG40/RG5-10	40	140	185	160	150	110	84	18	19x4	9
SİT	SEAT	BRASS / BRONZE	50	150	190	160	165	125	99	20	19x4	10
SRG	WEDGE	GG25/GGG40/RG5-10	65	170	210	160	185	145	118	20	19x4	14.4
MİL	STEM	STAINLESS STEEL/MS58	80	180	235	160	200	160	132	22	19x8	16.7
CONTA	GASKET	NBR/VITON	100	190	265	200	220	180	156	24	19x8	22.2
KAPAK	BONNET	GG25/GGG40/RG5-10	125	200	350	250	250	210	184	26	19x8	36
HENDİL	HANDWHEEL	GG20/RG5-10	150	210	380	250	285	240	211	26	23x8	46
			200	230	490	315	340	295	266	26	23x8	80
			250	250	615	315	395	350	319	28	23x12	125
			300	270	700	315	445	400	370	28	23x12	170



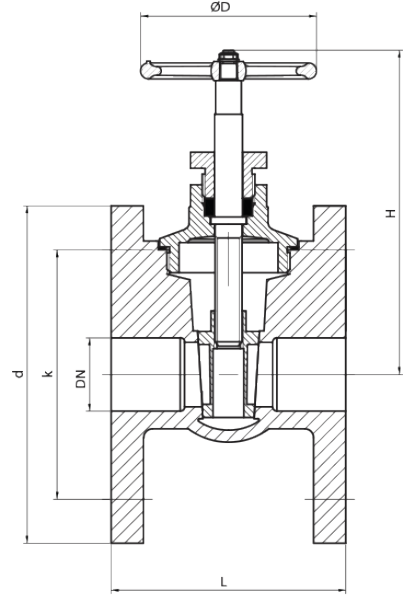
Seviye Gstergeli Srgl Vana / Gate Valve With Indicator



PARÇA ADI	PART NAME	MALZEME / MATERIAL	DN	L	H	ØD ₁	ØD	Øk	Øg	b	Ødxn	KG
GVDE	BODY	GG25/GGG40/RG5-10	40	140	215	160	150	110	84	18	19x4	9
SİT	SEAT	BRASS / BRONZE	50	150	230	160	165	125	99	20	19x4	10
SRG	WEDGE	GG25/GGG40/RG5-10	65	170	265	160	185	145	118	20	19x4	14.4
MİL	STEM	STAINLESS STEEL/MS58	80	180	305	160	200	160	132	22	19x8	16.7
CONTA	GASKET	NBR/VITON	100	190	355	200	220	180	156	24	19x8	22.2
KAPAK	BONNET	GG25/GGG40/RG5-10	125	200	465	250	285	240	211	26	23x8	46
HENDİL	HANDWHEEL	GG20/RG5-10	150	210	520	250	340	295	266	26	23x8	80
			200	230	680	315	395	350	319	28	23x12	125
			250	250	810	315	445	400	370	28	23x12	170
			300	270	900	315						



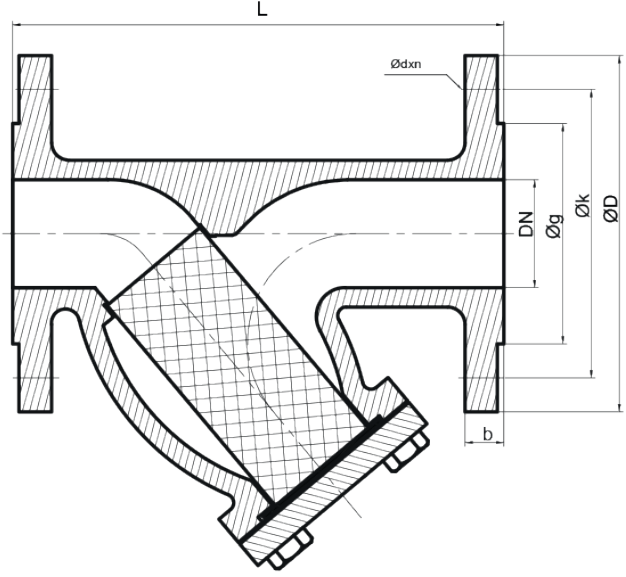
Srgl Vana (Bronz) / Gate Valve (Bronze)



PARÇA ADI	PART NAME	MALZEME / MATERIAL	DN	L	H	d	D	k
GVDE	BODY	RG5	15	75	82	95	50	65
KAPAK	BONNET	RG5	20	75	103	105	60	75
SRG	WEDGE	RG5						
MİL	STEM	MS58	25	80	103	115	60	85
CONTA	GASKET	PTFE	32	90	122	140	70	100
GLEN SOMUNU	GLANDNUT	MS58	40	100	132	150	80	110
GLEN	GLAND	MS58	50	110	155	165	90	125
SALMASTRA	PACKING	GRAPHITE						
HENDİL	HANDWHEEL	GG25	65	130	198	185	110	145
SOMUN	NUT	BRASS	80	150	237	200	120	160
			100	160	325	220	175	180



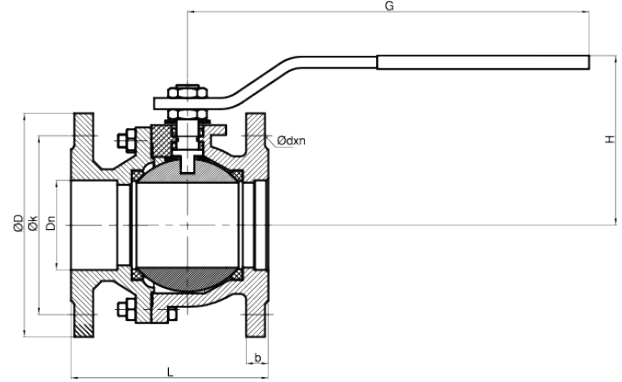
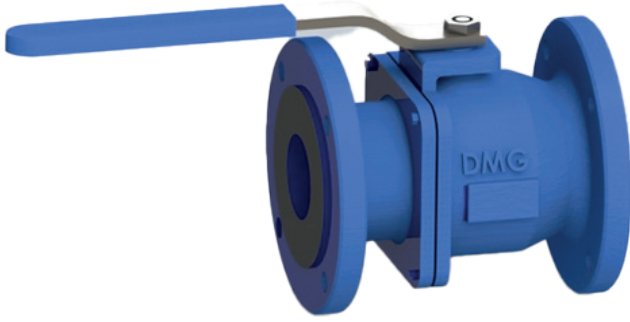
Pislik Tutucu / Y Type Filter



PARÇA ADI / PART NAME	MALZEME / MATERIAL	PN16				PN25				PN40								
		DN	L	ØD	Øg	Øk	b	Ødxn	ØD	Øg	Øk	b	Ødxn	ØD	Øg	Øk	b	Ødxn
GÖVDE / BODY	GG25/GG40.3/GSC25/RG5-10	15	130	95	45	65	14	Ø14x4	95	45	65	14	Ø14x4	95	45	65	14	Ø14x4
FİLTRE / FILTER	AISI 304	20	150	105	58	75	16	Ø14x4	105	58	75	16	Ø14x4	105	58	75	16	Ø14x4
CONTA / GASKET	PTFE/GRAPHITE	25	160	115	68	85	16	Ø14x4	115	68	85	16	Ø14x4	115	68	85	16	Ø14x4
KAPAK / BONNET	GGG40.3/GG25/GS-C25/RG5-10	32	180	140	78	100	18	Ø18x4	140	78	100	18	Ø18x4	140	78	100	18	Ø18x4
CİVATA / BOLT	8.8 STEEL	40	200	150	88	110	18	Ø18x4	150	88	110	18	Ø18x4	150	88	110	18	Ø18x4
		50	230	165	102	125	20	Ø18x4	165	102	125	20	Ø18x4	165	102	125	20	Ø18x4
		65	290	185	122	145	20	Ø18x4	185	122	145	22	Ø18x8	185	122	145	22	Ø18x8
		80	310	200	138	160	20	Ø18x8	200	138	160	24	Ø18x8	200	138	160	24	Ø18x8
		100	350	220	158	180	22	Ø18x8	235	158	190	26	Ø22x8	235	158	190	26	Ø22x8
		125	400	250	188	210	22	Ø18x8	270	188	220	28	Ø26x8	270	188	220	28	Ø26x8
		150	480	285	212	240	24	Ø22x8	300	218	250	30	Ø26x8	300	218	250	30	Ø26x8
		200	600	340	268	295	26	Ø22x12	360	278	310	32	Ø26x12	375	285	320	36	Ø30x12
		250	730	405	320	355	29	Ø26x12	425	335	370	35	Ø30x12	450	345	385	42	Ø33x12
		300	850	460	378	410	32	Ø26x12	485	395	430	38	Ø30x16	515	410	450	52	Ø33x16
		350	980	520	438	470	35	Ø26x16	555	450	490	42	Ø33x16	580	465	510	58	Ø36x16
		400	1100	580	490	525	38	Ø30x16	620	505	550	48	Ø36x16	660	535	585	65	Ø39x16



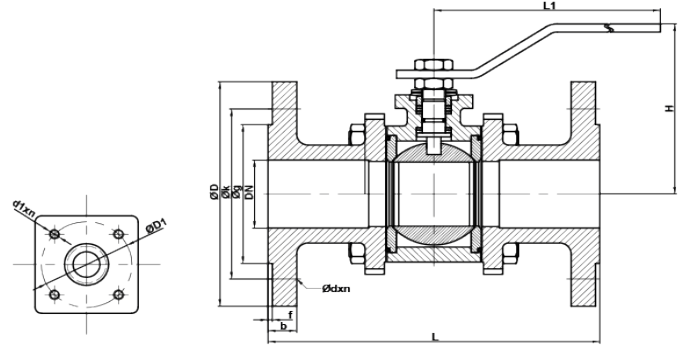
Flanslı Kresel Vana F4 / Flanged Ball Valve F4



PARÇA ADI	PART NAME	MALZEME / MATERIAL	DN	L	H	G	ØD	b	Øk	Ødxn	KG
GVDE	BODY	GG25/GGG40/RG5-10	40	140	130	265	150	18	110	18x4	7,5
KAPAK	COVER	GG25/GGG40/RG5-10	50	150	140	265	165	20	125	18x4	10
KRE	BALL	I.0144/BRONZE	65	170	145	265	185	20	145	18x4	13
HAREKET MİLİ	ACTION SPINLE	I.4021	80	180	175	375	200	22	160	18x8	18
KRE SIZDIR. TEFL.	BALL TIGH. ELM.	PTFE	100	190	190	375	220	22	180	18x8	22
GVDE SIZDIR. TEFL.	BODY TIGH. ELM.	PTFE	125	325	240	580	250	24	210	18x8	40
BOĞAZ SIZDIR. TEFL.	NECK TIGH. ELM.	PTFE	150	350	280	680	285	24	240	22x8	53
MİL O RİNGİ	SPINDLE O RING	VITON	200	400	350	850	340	26	295	22x12	
BASKI RİNGİ	PRESSURE RING	MS 58	250	450	420	950	395	28	350	26x12	
ÇANAK PUL	BOWL WASHER	50 CrV 4									
KONTRA SOMUN	COUNTER NUT	5,6 Gal.									
CİVATA	BOLT	St 42									
STOPLAMA PİMİ	STOPPING PIN	St 42 Gal.									
CİVATA	BOLT	St 42 Gal.									
KRE HAREKET KOLU	BALL ACTION HANDLE	St 37									
PLASTİK KAPLAMA	PLASTIC COVERING	PVC									



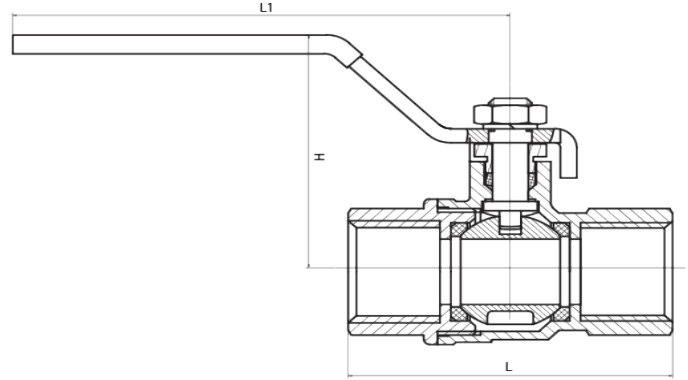
Kresel Vana(3 Paralı, Flanslı, Tepe Flanslı)/Ball Valve(3 PCS Body,Flanged,W/Mounting Pad)



PARA ADI	PART NAME	MALZEME / MATERIAL	DN	D	k	g	L	b	f	H	L1	dxn	D1	d1xn
GVDE	BODY	GGG40.3/BRONZE	15	95	65	45	130	14	2	75	150	14x4	36	M5x4
KEP	CAP	GGG40.3/BRONZE	20	105	75	58	150	16	2	85	150	14x4	36	M5x4
KRE	BALL	1.4301/1.4021	25	115	85	68	160	16	2	87	180	14x4	42	M5x4
MİL	STEM	1.4021	32	140	100	78	180	18	2	95	180	18x4	42	M5x4
KRE TEFLONU	BALL GASKET	PTFE	40	150	110	88	200	18	3	118	275	18x4	50	M6x4
CONTA	GASKET	KLINGERIT	50	165	125	102	230	20	3	125	275	18x4	50	M6x4
MİL TEFLONU	STEM GASKET	PTFE	65	185	145	122	290	20	3	145	320	18x4	70	M8x4
O RİNG	O-RING	VİTON	80	200	160	138	310	22	3	156	360	18x8	70	M8x4
BASKI RİNGİ	RING	1.0718	100	220	180	158	350	24	3	175	450	18x8	70	M8x4
ANAK PUL	DISC SPRING	50CrV4	125	250	210	188	400	26	3	210	450	18x8	102	M10x4
KONTRA SOMUN	JAM NUT	5.6 GAL. ST.	150	285	240	212	480	26	3	248	650	22x8	102	M10x4
SAPLAMA	STUD BOLT	CK 35	200	340	295	268	600	30	3	280	900	22x12	102	M10x4
SOMUN	HEX NUT	5.6 GAL. ST.												
STOPLAMA PİMİ	STOPPER PIN	1.0718												
	BOLT	1.4301												
KOL	HANDLE	ST37												



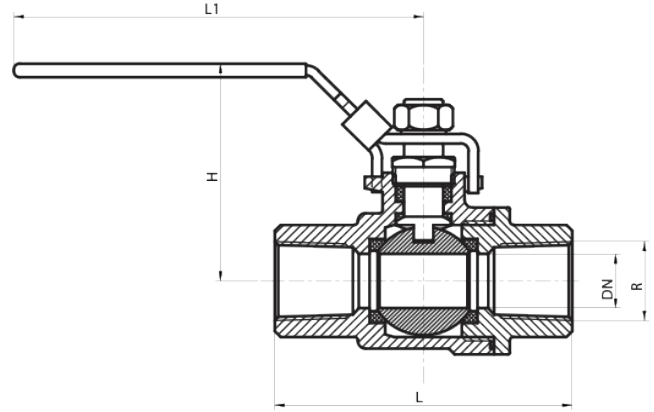
Kresel Vana (Bronz, DiŖli) / Ball Valve (Bronze, Threaded)



PARA ADI	PART NAME	MALZEME / MATERIAL	DN	L	L1	H	KG
GVDE	BODY	ZCuSn5Pb5Zn5	15	53	95	44	0,230
SIT	SEAT	PTFE	20	61	110	51	0,370
KRE	BALL	CuZn40Pb2	25	71	110	55	0,540
KAPAK	COVER	ZCuSn5Pb5Zn5	32	85	140	65	0,840
MİL	STEM	CuZn40Pb2	40	92	140	70	1,130
MİL CONTASI	STEM GASKET	PTFE	50	114	160	83	1,880
SALMASTRA	PACKING	PTFE					
GLEN	GLAND	CuZn40Pb2					
KOL	LEVER	St 37					
KOL KAPLAMA	LEVER COVER	PVC					
PUL	RONDELA	STEEL					
CİVATA	NUT	CuZn40Pb2					



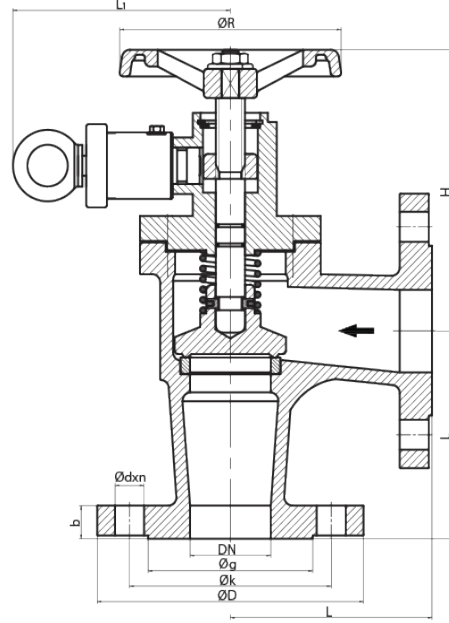
Kresel Vana(2 Paralı,Paslanmaz,DiŖli)/Ball Valve(2PCS Body, St.Steel,Threaded)



PARA ADI	PART NAME	MALZEME / MATERIAL	DN	R	L	H	L1	KG
GVDE	BODY	ASTM A351 CF8M	8	1/4"	55	51	92	0,21
SİT	SEAT	PTFE	10	3/8"	60	52	92	0,21
KRE	BALL	AISI 316	15	1/2"	75	60	104	0,29
KEP	CAP	ASTM A351 CF8M	20	3/4"	80	64	119	0,41
CONTA	GASKET	PTFE	25	1"	90	68	123	0,60
SIKIŖTIRMA PULU	THRUST WASHER	PTFE	32	1 1/4"	110	76	144	0,87
SALMASTRA	PACKING	PTFE	40	1 1/2"	120	84	158	1,36
GLEN	GLAND	AISI 304	50	2"	140	92	168	1,82
PUL	WASHER	AISI 304	65	2 1/2"	185	135	243	4,16
SOMUN	NUT	AISI 304	80	3"	205	144	243	5,88
MİL	STEM	AISI 316	100	4"	240	166	295	9,00
KOL KİLİDİ	LOCK	AISI 201						
KOL	HANDLE	AISI 201						



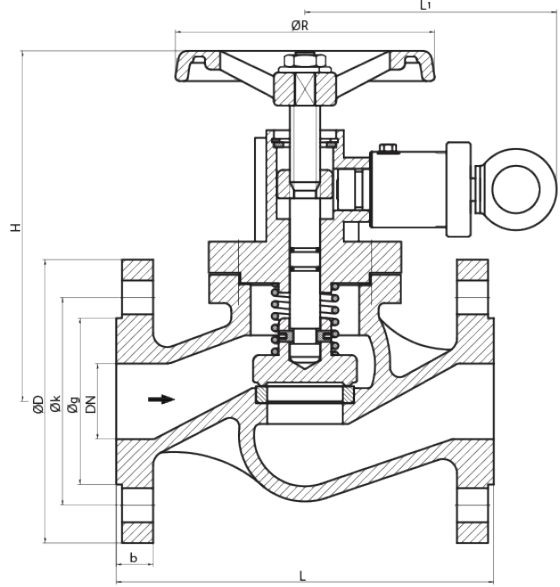
Ani Kapama Vanası (Gönye Tip) / Quick Closing Valve (Angle Type)



PARÇA ADI	PART NAME	MALZEME / MATERIAL												
GÖVDE	BODY	GGG40.3/GS-C25	15	95	65	45	90	14	110	160	134	9	14x4	3,8
SİT	SEAT	X20Cr13 / 304	20	105	75	58	95	16	110	160	134	9	14x4	4,5
KAPAK	BONNET	GGG40.3	25	115	85	68	100	16	110	165	134	12	14x4	6,5
MİL	STEM	X20Cr13 / 304	32	140	100	78	105	18	140	170	134	13	18x4	7,4
O-RİNG	O-RING	VITON	40	150	110	88	115	18	140	185	134	15	18x4	10,5
GÖSTERGE SOMUNU	INDICATOR NUT	X20Cr13 / Ms58	50	165	125	102	125	20	160	190	136	20	18x4	13,5
YAY	SPRING	SPRING STEEL C	65	185	145	122	145	20	160	205	136	22	18x4	18
KLAPE	DISC	X20Cr13 / 304	80	200	160	138	155	22	200	250	136	25	18x8	23
SETSKUR	SCREW	304	100	220	180	158	175	24	220	270	136	30	18x8	36
PUL	WASHER	ST37	125	250	210	188	200	26	220	315	160	34	18x8	54
EMNİYET SEGMANI	SECURITY RING	SPRING STEEL	150	285	240	212	225	26	220	360	160	42	18x8	72
CONTA	GASKET	KLINGERIT												
CİVATA	BOLT	8.8 STEEL												
HENDİL	HANDWHEEL	GG25												
SOMUN & PUL	NUT & WASHER	STEEL												
ACTİVATOR	ACTUATOR	X20Cr13 / Ms58												
SETSKUR	SCREW	304												
PİM	PIN	304												



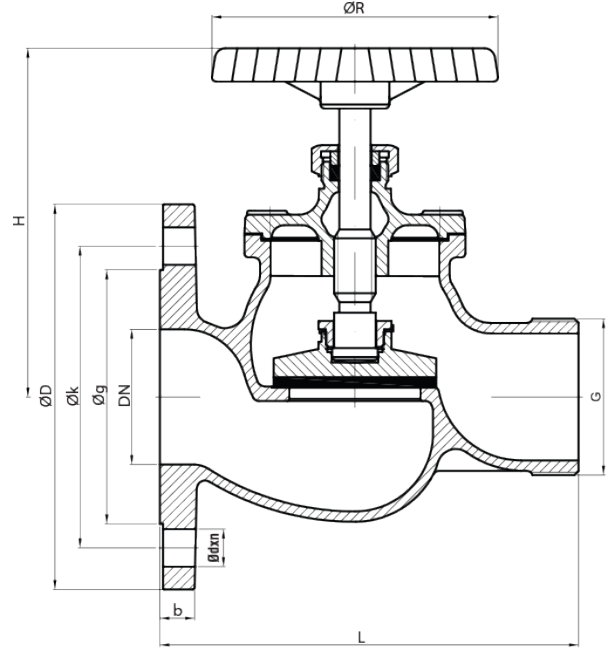
Ani Kapama Vanası(Düz Tip)(BV,TL,RMRS Tip Onaylı)/Quick Closing Valve(Straight Type)(BV,TL,RMRS Type Approved)



PARÇA ADI	PART NAME	MALZEME / MATERIAL	DN	ØD	Øk	Øg	L	b	ØR	H	L1	STROK	Ødxn	KG
GÖVDE	BODY	GGG40.3/GS-C25	15	95	65	45	130	14	110	160	134	9	14x4	4,5
SİT	SEAT	X20Cr13 / 304	20	105	75	58	150	16	110	160	134	9	14x4	5,4
KAPAK	BONNET	GGG40.3	25	115	85	68	160	16	110	165	134	12	14x4	6
MİL	STEM	X20Cr13 / 304	32	140	100	78	180	18	140	170	134	13	18x4	8,4
O-RİNG	O-RING	VITON	40	150	110	88	200	18	140	185	134	15	18x4	10,4
GÖSTERGE SOMUNU	INDICATOR NUT	X20Cr13 / Ms58	50	165	125	102	230	20	160	190	136	20	18x4	15
YAY	SPRING	SPRING STEEL C	65	185	145	122	290	20	160	205	136	22	18x4	20
KLAPE	DISC	X20Cr13 / 304	80	200	160	138	310	22	200	250	136	25	18x8	23
SETSKUR	SCREW	304	100	220	180	158	350	24	220	270	136	30	18x8	36
PUL	WASHER	ST37	125	250	210	188	400	26	220	315	160	34	18x8	55
EMNİYET SEGMANI	SECURITY RING	SPRING STEEL	150	285	240	212								
CONTA	GASKET	KLINGERIT												
CİVATA	BOLT	8.8 STEEL												
HENDİL	HANDWHEEL	GG25												
SOMUN & PUL	NUT & WASHER	STEEL												
ACTİVATOR	ACTUATOR	X20Cr13 / Ms58												
SETSKUR	SCREW	304												
PİM	PIN	304												



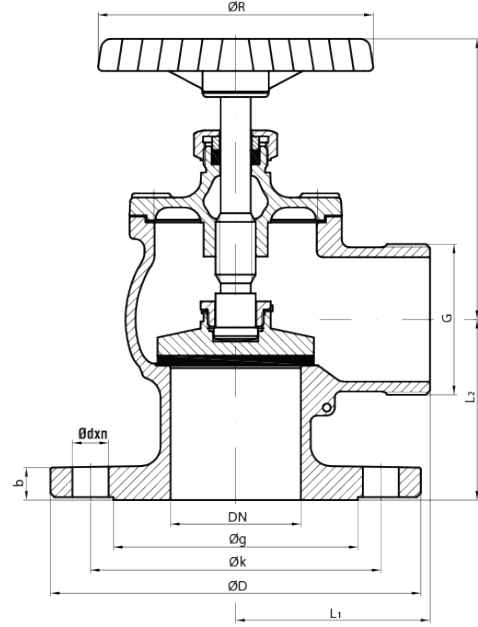
Yangın Vanası(Dz Tip, Bronz, Flanslı)/Fire Hose Valve(Straight, Bronze, Flanged)



PARA ADI	PART NAME	MALZEME / MATERIAL	DN	D	k	g	b	dxn	L	H	R	G	KG
GVDE	BODY	RG5	40	150	110	88	18	18x4	150	130	110	R 1 1/2"	5,4
KLAPE	DISC	RG5	50	165	125	102	20	18x4	165	140	140	R 2"	6,8
MİL	STEM	CuZn39Pb3 (Ms58)	65	185	145	122	20	18x4	200	160	140	R 2 1/2"	9
SETUSKUR CİVATA	SET SCREW	8.8 STEEL											
KLAPE CONTASI	DISC GASKET	EPDM											
SOMUN&PUL	NUT&WASHER	8.8 STEEL											
CONTA	GASKET	KLINGRIT											
KAPAK	BONNET	RG5											
CİVATA	BOLT	CuZn39Pb3 (Ms58)											
SALMASTRA	PACKING	GRAPHITE											
SALMASTRA BASKISI	PACKING PRESS	CuZn39Pb3 (Ms58)											
SALMASTRA SOMUNU	PACKING NUT	CuZn39Pb3 (Ms58)											
HENDİL	HAND WHEEL	GG25											
CİVATA & PUL	BOLT & WASHER	8.8 STEEL											



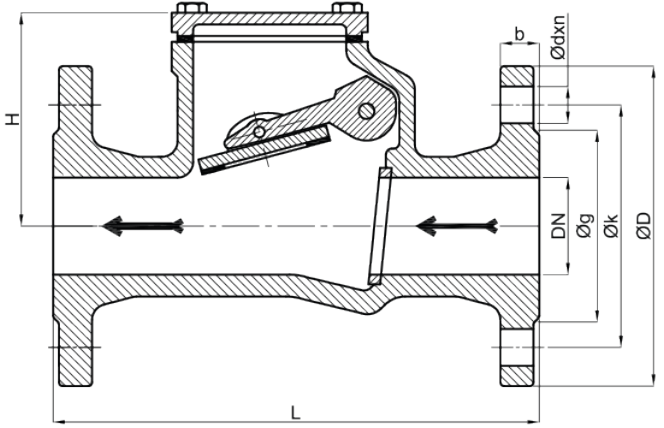
Yangın Vanası(Gnye Tip,Bronz,Flanslı)/Fire Hose Valve(Angle Type,Bronze,Flanged)



PARA ADI	PART NAME	MALZEME / MATERIAL	DN	ØD	Øk	Øg	b	Ødxn	L ₁	L ₂	H	ØR	G	KG
GVDE	BODY	RG5	40	150	110	88	18	18x4	75	65	130	110	R 1 1/2"	5
KLAPE	DISC	RG5	50	165	125	102	20	18x4	75	75	140	110	R 2"	6,4
MİL	STEM	CuZn39Pb3 (Ms58)	65	185	145	122	20	18x4	95	90	160	140	R 2 1/2"	8,2
SETUSKUR CİVATA	SET SCREW	8.8 STEEL												
KLAPE CONTASI	DISC GASKET	EPDM												
SOMUN&PUL	NUT&WASHER	8.8 STEEL												
CONTA	GASKET	KLINGRIT												
KAPAK	BONNET	RG5												
CİVATA	BOLT	CuZn39Pb3 (Ms58)												
SALMASTRA	PACKING	GRAPHITE												
SALMASTRA BASKISI	PACKING PRESS	CuZn39Pb3 (Ms58)												
SALMASTRA SOMUNU	PACKING NUT	CuZn39Pb3 (Ms58)												
HENDİL	HAND WHEEL	GG25												
CİVATA & PUL	BOLT & WASHER	8.8 STEEL												



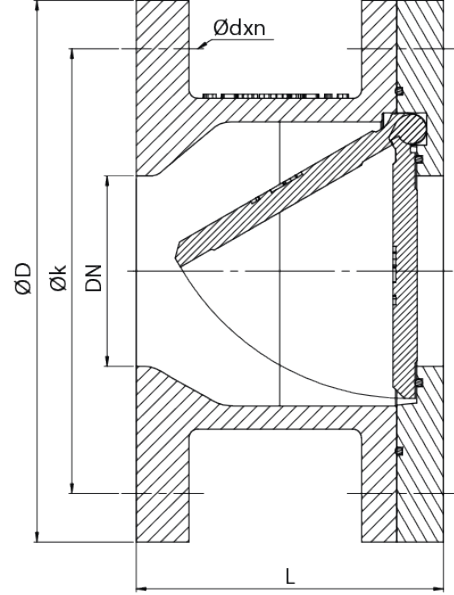
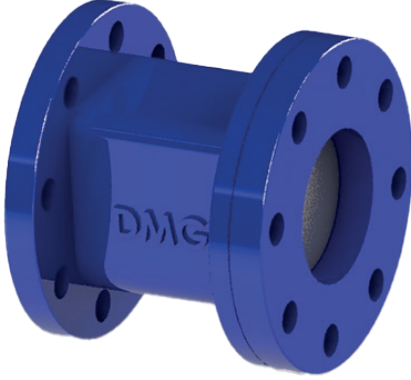
Çalpara Çek Valf / Swing Check Valve



PARÇA ADI	PART NAME	MALZEME / MATERIAL	PN16								
			DN	L	H	ØD	Øk	Øg	b	Ødxn	KG
GVDE	BODY	GG25/GGG40	40	180	80	150	110	84	18	18x4	9,10
SİT	SEAT	BRASS / BRONZE	50	200	105	165	125	99	20	18x4	11,20
SRG	WEDGE	GG25+NBR/GGG40+NBR	65	240	135	185	145	118	20	18x4	17,10
MİL	STEM	STAINLESS STEEL	80	260	145	200	160	132	22	18x8	20,10
CONTA	GASKET	NBR/EPDM	100	300	175	220	180	156	24	18x8	27,60
KAPAK	BONNET	GG25/GGG40	125	350	210	250	210	184	26	18x8	45,80
			150	400	215	285	240	211	26	22x8	60,60
			200	500	241	340	295	266	26	22x12	71,20
			250	600	297	405	355	319	32	26x12	121,50



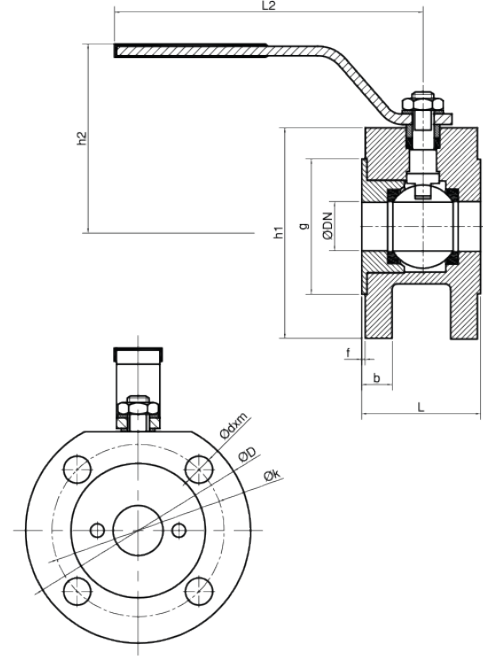
alpara ek Valf (Kısa Tip) / Swing Check Valve (Short Type)



PARA ADI	PART NAME	MALZEME / MATERIAL	DN	ØD	Øk	L	Ødxn	KG
GVDE	BODY	GGG40.3/BRONZE	25	115	85	70	14x4	2,7
KLAPE	DISC	AISI316 / ALU BRONZE	32	140	100	75	19x4	3,9
KLAPE CONTASI	DISC GASKET	NBR/VITON	40	150	110	80	19x4	5,2
GVDE CONTASI	BODY GASKET	NBR/VITON	50	165	125	85	19x4	6,5
CIVATA	BOLT	AISI304	65	185	145	105	19x4	8,6
			80	200	160	125	18x8	11
			100	220	180	145	18x8	13,6
			125	250	210	170	18x8	19
			150	285	240	200	23x8	24,4
			200	340	295	255	23x12	41



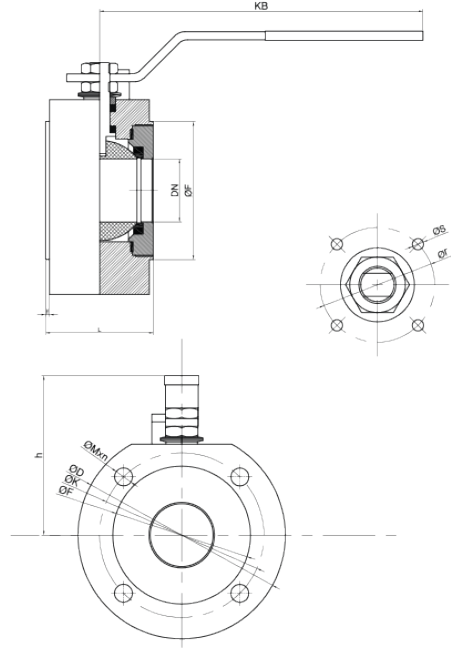
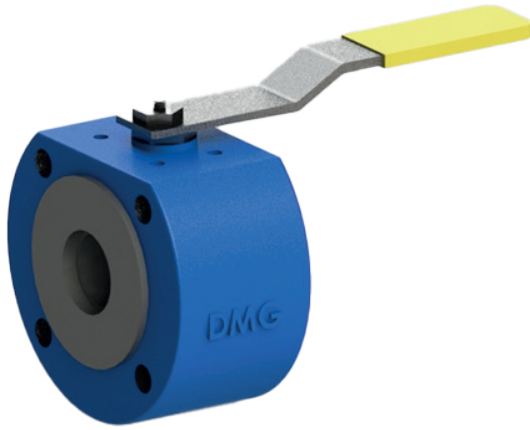
Kresel Vana (Wafer) / Ball Valve (Wafer)



PARÇA ADI	PART NAME	MALZEME / MATERIAL	DN	ØD	Øk	Øg	L	L2	b	f	h1	h2	Ødxn
GVDE	BODY	GG25	20	105	75	58	74	166	16	2	101	88,6	14x4
KAPAK	BONNET	GGG40	25	115	85	68	76	166	16	2	110	93,5	14x4
KRE	BALL	S.STEEL											
ORİNG	ORING	EPDM											
CONTA	GASKET	PTFE											
MİL	STEM	S.STEEL											
MİL CONTASI	STEM GASKET	PTFE											
BASKI PULU	DISC SPRING	STEEL											
KOL	LEVER	ST37											
SOMUN	NUT	S.STEEL											
PİM	PIN	STEEL											



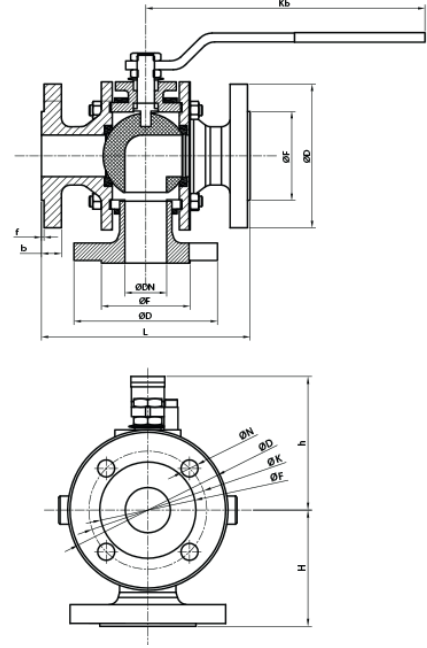
Kresel Vana (Monoblok) / Ball Valve (Monoblock)



PARA ADI	PART NAME	MALZEME / MATERIAL	DN	L	KB	h	f	D	K	M	6 1 N P						0 4 N P					
											n	F	D	K	M	n	F	G	S	KG		
GVDE	BODY	CARBON STEEL / AISI 304 / 316	15	39	150	80	2	88	65	M12	4	50	88	65	M12	4	50	36	M5	1,45		
KAPAK	COVER	CARBON STEEL / AISI 304 / 316	20	42	15	85	2	98	75	M12	4	60	98	75	M12	4	60	36	M5	1,90		
KRE	BALL	1.4301 / 1.4086 / AISI 304 / 316	25	47	165	90	2	109	85	M12	4	68	109	85	M12	4	68	42	M5	2,80		
MİL	STEM	1.4021 / AISI 304 / 316	32	58	240	100	2	135	100	M16	4	78	135	100	M16	4	78	42	M5	5,00		
KRE CONTA	BALL SEAL	PTFE-TEFLON / PTFE-TEFLON	40	65	280	120	3	147	110	M16	4	88	147	110	M16	4	88	50	M6	6,50		
GVDE CONTA	BODY SEAL	PTFE-TEFLON / PTFE-TEFLON	50	84	280	125	3	167	125	M16	4	105	167	125	M16	4	105	50	M6	10,50		
BOĖAZ CONTA	NECK SEAL	PTFE-TEFLON / PTFE-TEFLON	65	105	330	150	3	178	145	M16	4	125	178	145	M16	8	125	70	M8	14,50		
BASKI RİNGİ	PRESSURE RING	ST42 / AISI 304 / 316	80	120	400	160	3	198	160	M16	8	132	198	160	M16	8	132	70	M8	21,50		
ANAK PUL	BOWL WASHER	CK70 / AISI 304	100	150	460	175	3	233	180	M16	8	158	233	190	M20	8	162	102	M10	36,00		
KONTRA SOMUN	COUNTER NUT	5.6. / AISI304	125	200	460	200	3	270	210	M16	8	188	270	220	M20	8	188	125	M12	65,00		
STOPLAMA PİMİ	STOPPING PIM	ST42 / AISI 304	150	235	670	240	3	310	240	M20	8	212	310	250	M22	8	218	125	M12	85,00		
KOL	HANDLE	ST37 / AISI304																				



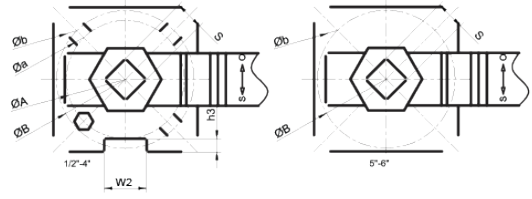
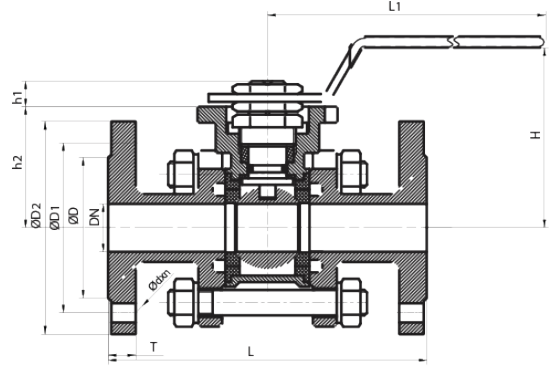
Kresel Vana(3 yollu , Flanslı,T-L Port) / Ball Valve(3 Way,Flanged,T-L Port)



PARÇA ADI	PART NAME	MALZEME / MATERIAL	DN	L	Kb	h	f	ØD	b	ØK	Hole Unit	ØN	ØF	H	ØG	ØS
GVDE	BODY	KARBON ÇELİK/AISI304/AISI316	15	130	150	80	2	95	14	65	4	14	46	70	36	M6
KAPAK	COVER	KARBON ÇELİK/AISI304/AISI316	20	150	150	85	2	105	16	75	4	14	56	80	42	M6
3.YOL	3.WAY	KARBON ÇELİK/AISI304/AISI316	25	160	185	90	2	115	16	85	4	14	65	85	42	M6
CEKET	JACKET	KARBON ÇELİK/AISI304/AISI316	32	180	240	100	2	140	16	100	4	18	76	90	50	M6
MİL	STEM	1.4021/AISI304/AISI316	40	200	280	120	3	150	16	110	4	18	84	100	50	M6
KRE CONTA	BALL SEAL	PTFE	50	230	280	125	3	165	18	125	4	18	99	115	70	M8
GVDE CONTA	BODY SEAL	PTFE	65	290	330	150	3	185	18	145	4	18	118	145	70	M8
BOĞAZ CONTA	NECK SEAL	PTFE	80	310	400	160	3	200	20	160	8	18	132	160	102	M10
BASKI RİNGİ	PRESSURE RING	ST42/AISI304	100	350	460	175	3	220	20	180	8	18	156	180	125	M12
ÇANAK PUL	BOWL WASHER	CK70/AISI304	125	400	460	200	3	250	22	210	8	18	184	220	125	M12
KONTRA SOMUN	COUNTER NUT	5.6/AISI304	150	450	670	265	3	285	22	240	8	22	211	300	125	M12
SAPLAMA	STUD BOLT	ST42/AISI304														
SOMUN	NUT	5.6/AISI304														
STOPLAMA PİNİ	STOPPING PIM	ST42/AISI304														
KOL	HANDLE	ST37/AISI304														



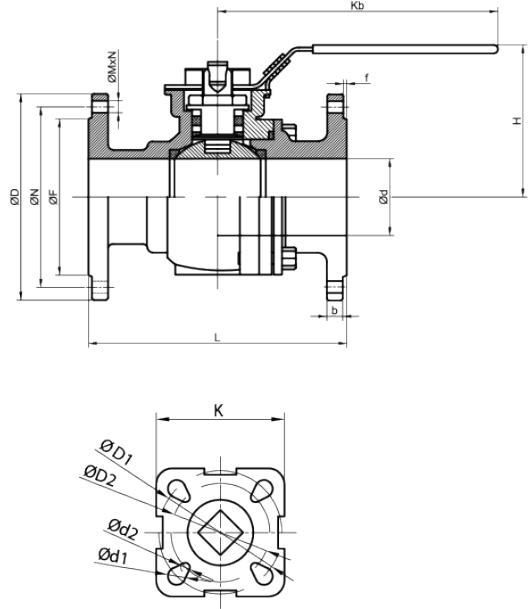
Kresel Vana(3 Paralı, Paslanmaz, Flanslı, Tepe Flanslı) / Ball Valve(3 PCS Body, St. Steel, Flanged, W/Mounting Pad)



PARA ADI	PART NAME	MALZEME / MATERIAL	DN	R	D	D1	D2	T	L	L1	H	Ød	n	S	h1	h2	a	b	A	B	W2	h3	KG
GVDE	BODY	AISI 316	15	1/2"	45	65	95	18	130	125	75	14x4	9	8	38	6	6	36	42	13	4	2.21	
KEP	CAP	AISI 316	20	3/4"	58	75	105	18	150	125	85	14x4	9	10	46	6	6	36	42	13	4	2.79	
PUL	BOLT WASHER	AISI 304	25	1"	68	85	115	18	160	125	95	14x4	11	12	55	6	7	42	50	14	5	3.65	
SOMUN	HEX NUT	AISI 304	32	1 1/4"	78	100	140	20	180	135	100	18x4	11	12	59	6	7	42	50	14	5	5.75	
CİVATA	BOLT	AISI 304	40	1 1/2"	88	110	145	21	200	165	100	18x4	14	16	71	7	9	50	70	16	6	6.90	
SİT	SEAT	PTFE	50	2"	102	125	165	23	230	170	135	18x4	14	16	79	7	9	50	70	16	6	9.46	
KRE	BALL	AISI 316	65	2 1/2"	122	145	185	25	290	170	135	18x8	17	19	95	9	11	70	102	22	8	15.20	
MİL	STEM	AISI 316	80	3"	138	160	200	27	310	240	135	18x8	17	19	107	9	11	70	102	22	8	20.20	
SIKIŖTIRMA PULU	THRUST WASHER	PTFE	100	4"	162	190	235	27	350	245	140	22x8	17	19	126	9	11	70	102	22	8	30.50	
ORİNG	O-RING	VITON	125	5"	188	220	270	29	400	750	-	26x8	22	23	147	-	8.60	-	102	-	-	46.00	
SALMASTRA	PACKING	PTFE	150	6"	218	250	300	31	480	750	-	26x8	22	23	162	-	8.60	-	102	-	-	61.00	
GLEN	GLAND	AISI 304																					
SOMUN	NUT	AISI 304																					
KOL	HANDLE	ST. STEEL																					



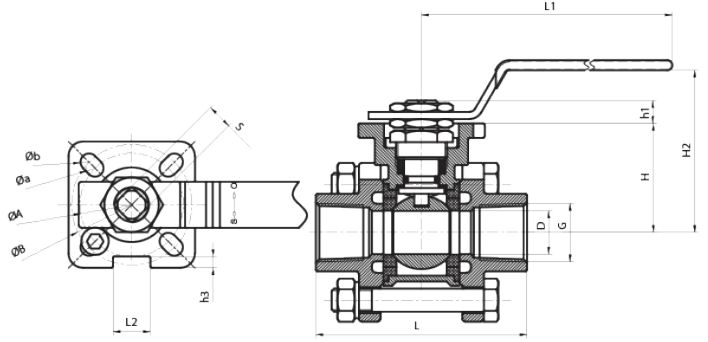
Kresel Vana(2 Paralı, Paslanmaz, Flanslı, Tepe Flanslı)/Ball Valve(2 PCS Body, St. Steel, Flanged, W/Mounting Pad)



PARA ADI	PART NAME	MALZEME / MATERIAL	SIZE	L	Kb	H	d	D	N	F	b	f	M	MN	D1	D2	d1	d2	K	PRESSURE CLASS
GVDE	BODY	CF8/CF8M	1/2"	115	140	93	15	95	65	45	16	2	14	4	42	36	5	5	36	
KRE	BALL	SS304/SS316	3/4"	120	140	95	20	105	75	58	18	2	14	4	42	36	5	5	36	
CIVATA	BOLT	S.STEEL	1"	125	175	115	25	115	85	68	18	2	14	4	50	42	6.5	6.5	42	PN16
KOL KİLİDİ	LOCK	S.STEEL	1 1/4"	130	180	120	32	140	100	78	18	2	18	4	50	42	6.5	6.5	42	PN40
MİL	STEM	SS316	1 1/2"	140	200	140	40	150	110	88	18	3	18	4	70	50	8.5	6.5	50	
KAPAK	CAP	CF8/CF8M	2 1/2"	170	225	160	65	185	145	122	18	3	18	4	102	70	10.5	8.5	70	PN16
SİT	SEAT	PTFE	3"	180	265	175	80	200	160	138	20	3	18	8	102	70	10.5	8.5	70	
MİL CONTASI	STEM GASKET	PTFE	4"	190	265	190	100	220	180	158	20	3	18	8	102	70	10.5	8.5	102	
KOL	LEVER	ST37																		



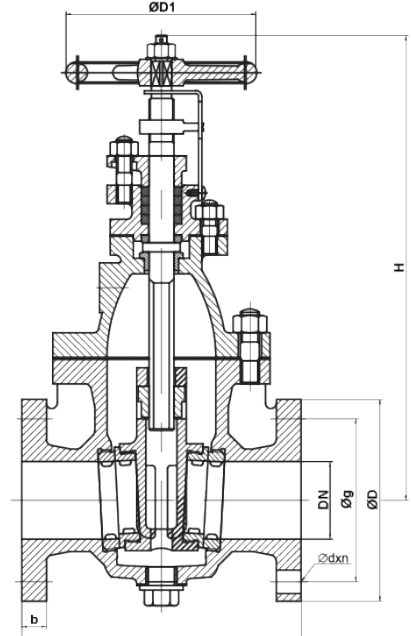
Kresel Vana(3 Paralı,Paslanmaz,Disli,Tepe Flanslı)/Ball Valve(3 PCS Body,St.Steel,Threaded,W/Mounting Pad)



PARA ADI	PART NAME	MALZEME / MATERIAL	DN	G	D	L	S	h1	H	H2	L1	Øa	Øb	ØA	ØB	L2	h3
GVDE	BODY	AISI 316	8	1/4"	10.5	73	9	8	38	60	130	6	6	36	42	13	4
KEP	CAP	AISI 316	10	3/8"	12	73	9	8	38	60	130	6	6	36	42	13	4
PUL	BOLT WASHER	AISI 304	15	1/2"	15	75	9	8	38	60	130	6	6	36	42	13	4
SOMUN	HEX NUT	AISI 304	20	3/4"	20	80	9	10	46	70	160	6	6	36	42	13	4
CİVATA	BOLT	AISI 304	25	1"	25	90	11	12	55	85	175	6	7	42	50	14	5
SİT	SEAT	PTFE	32	1/4"	32	110	11	12	59	90	175	6	7	42	50	14	5
KRE	BALL	AISI 316	40	1/2"	38	120	14	16	71	105	180	7	9	50	70	16	6
MİL	STEM	AISI 316	50	2"	49	140	14	16	79	115	180	7	9	50	70	16	6
SIKIŖTIRMA PULU	THRUST WASHER	PTFE	65	2 1/2"	65	185	17	19	95	145	210	9	11	70	102	22	8
ORİNG	O-RING	VITON	80	3"	80	205	17	19	107	155	240	9	11	70	102	22	8
SALMASTRA	PACKING	PTFE	100	4"	98	240	17	19	126	175	314	9	11	70	102	22	8
GLEN	GLAND	AISI 304															
SOMUN	NUT	AISI 304															
KOL	HANDLE	ST. STEEL															



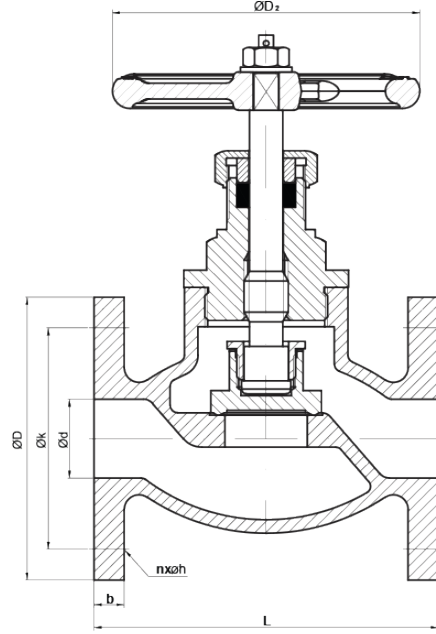
JIS Srgl Vana / JIS Type Gate Valve



PARÇA ADI	PART NAME	MALZEME / MATERIAL	JIS 5K										JIS 10K						
			DN	L	D	g	dxn	b	H	D1	KG	L	D	g	dxn	b	H	D1	KG
GVDE	BODY	GG20	50	180	130	105	4 x 15	16	285	125	13,5	200	155	120	4 x 19	20	300	140	19,5
SİT	SEAT	2Cr13	65	190	155	130	4 x 15	18	330	140	19,0	220	175	140	4 x 19	22	350	160	27,6
SRG	WEDGE	GG20	80	200	180	145	4 x 19	18	380	160	24,5	230	185	150	8 x 19	22	400	180	33,0
MİL	STEM	2Cr13	100	230	200	165	8 x 19	20	430	180	35,5	250	210	175	8 x 19	24	450	200	46,0
CONTA	GASKET	Graphite	125	250	235	200	8 x 19	20	495	200	48,0	270	250	210	8 x 23	24	520	224	66,0
KAPAK	BONNET	GG20	150	270	265	230	8 x 19	22	560	224	65,5	290	280	240	8 x 23	26	580	250	86,0
HENDİL	HANDLE	GG20	200	290	320	280	8 x 23	24	680	280	103	320	330	290	12 x 23	26	700	315	136
			250	330	385	345	12 x 23	26	800	355	164	380	400	355	12 x 25	30	840	400	230
			300	370	430	390	12 x 23	28	920	400	236	440	445	400	16 x 25	32	960	450	331
			350	410	480	435	12 x 25	30	1000	450	-	500	490	445	16 x 25	34	1050	500	-
			400	470	540	495	16 x 25	30	1100	500	-	590	560	510	16 x 27	36	1150	560	-



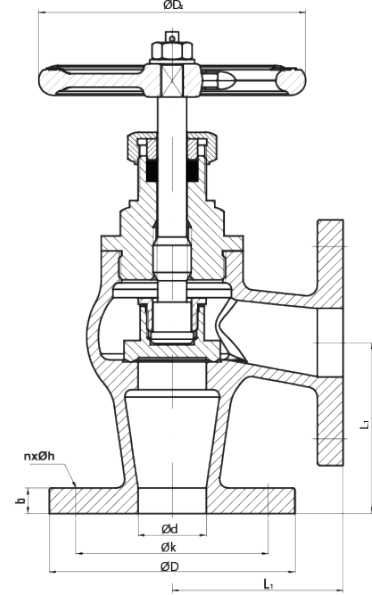
JIS Tip Glob Vana(Bronz, Dz Tip)/ JIS Type Globe Valve(Bronze, Straight Type)



PARÇA ADI	PART NAME	MALZEME / MATERIAL	LÇ	FLANŖ JIS 5K							FLANŖ JIS 16K						
				d	D	k	b	nxh	L	KG	D	k	b	nxh	L	KG	D2
GVDE	BODY	RG5	15A	15	80	60	9	4x12	100	1,8	95	70	12	4x15	110	2,8	80
KLAPE	DISC	RG5	20A	20	85	65	10	4x12	110	3	100	75	14	4x15	120	4	100
MİL	STEM	CuZn39Pb3	25A	25	95	75	10	4x12	120	3,7	125	90	14	4x19	130	5	125
EMNİYET PULU	DISC LOCK WASHER	CuZn39Pb3	32A	32	115	90	12	4x15	140	5,3	135	100	16	4x19	160	7	125
KLAPE SOMUNU	DISC NUT	CuZn39Pb3	40A	40	120	95	12	4x15	160	6,8	140	105	16	4x19	180	9	140
KAPAK	BONNET	RG5	50A	50	130	105	14	4x15	210	11,8	155	120	16	8x19	220	13	160
SALMASTRA	PACKING	GRAFİTE															
RİNG	RING	CuZn39Pb3															
SALMASTRA SOMUNU	PACKING NUT	CuZn39Pb3															
KİLİTLEME PULU	LOCK PLATE	CuZn39Pb3															
VİDA	SCREW	CuZn39Pb3															
HENDİL	HANDWHEEL	GG25															
SOMUN & PUL	NUT & WASHER	CuZn39Pb3															
KOPİLYA	SPLIT PIN	CuZn39Pb3															



JIS Tip Glob Vana(Bronz, Gnye Tip)/JIS Type Globe Valve(Bronze, Angle Type)



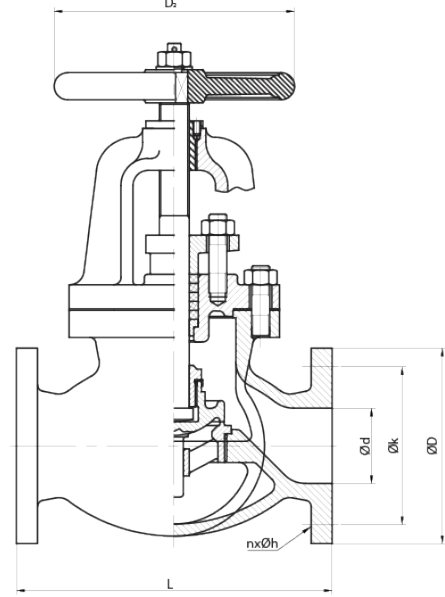
FLANŖ JIS 5K

FLANŖ JIS 16K

PARÇA ADI	PART NAME	MALZEME / MATERIAL	LÇ	Ød	ØD	Øk	b	nxØh	L ₁	KG	ØD	Øk	b	nxØh	L ₁	KG	ØD ₂
GVDE	BODY	RG5	15A	15	80	60	9	4x12	55	1,9	95	70	12	4x15	70	2,7	80
KLAPe	DISC	RG5	20A	20	85	65	10	4x12	60	2,7	100	75	14	4x15	75	3,6	100
MİL	STEM	CuZn39Pb3	25A	25	95	75	10	4x12	65	3,5	125	90	14	4x19	85	5,2	125
EMNİYET PULU	DISC LOCK WASHER	CuZn39Pb3	32A	32	115	90	12	4x15	80	4,7	135	100	16	4x19	95	6,5	125
KLAPe SOMUNU	DISC NUT	CuZn39Pb3	40A	40	120	95	12	4x15	85	5,5	140	105	16	4x19	100	7,6	140
KAPAK	BONNET	RG5	50A	50	130	105	14	4x15	100	9	155	120	16	8x19	120	11,3	160
SALMASTRA	PACKING	GRAFİTE															
RİNG	RING	CuZn39Pb3															
SALMASTRA SOMUNU	PACKING NUT	CuZn39Pb3															
KİLİTLEME PULU	LOCK PLATE	CuZn39Pb3															
VİDA	SCREW	CuZn39Pb3															
HENDİL	HANDWHEEL	GG25															
SOMUN & PUL	NUT & WASHER	CuZn39Pb3															
KOPILYA	SPLIT PIN	CuZn39Pb3															



JIS Tip Glob Vana (Düz Tip) / JIS Type Globe Valve (Straight Type)



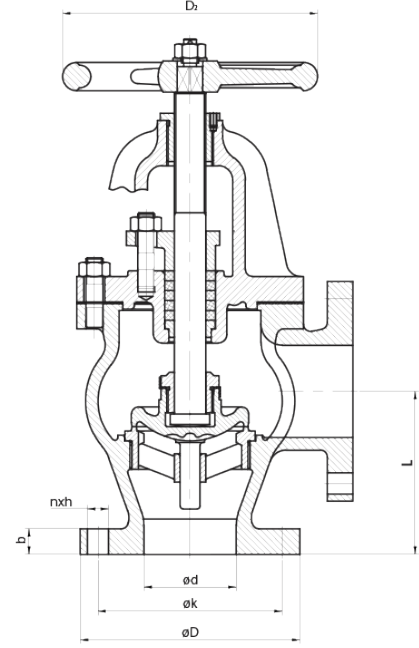
FLANŞ JIS 5K

FLANŞ JIS 10K

PARÇA ADI	PART NAME	MALZEME / MATERIAL	ÖLÇÜ	Ød	ØD	øk	b	nxØh	L	ØD2	KG	ØD	øk	b	nxØh	L	ØD2	KG
GÖVDE	BODY	GG 20	50A	50	130	105	16	4x15	210	160	15	155	120	20	4x19	220	160	20
CONTA	GASKET	KLINGRIT	65A	65	155	130	18	4x15	250	180	21	175	140	22	4x19	270	200	29
KAPAK	COVER	GG 20	80A	80	180	145	18	4x19	280	180	28	185	150	22	8x19	300	200	32
MİL	STEM	AISI 420 / CuZn39Pb3	100A	100	200	165	20	8x19	340	224	41	210	175	24	8x19	350	250	49
EMNİYET PULU	DISK LOCK WASHER	CuZn39Pb3	125A	125	235	200	20	8x19	410	250	58	250	210	24	8x23	420	280	73
KLAPE SOMUN	DISC NUT	AISI 420 / CuZn39Pb3	150A	150	265	230	22	8x19	480	280	80	280	240	26	8x23	490	315	104
SIZDIR MAZLIK BİLE ZİK	SEALING RING	AISI 420 / CuZn39Pb3	200A	200	320	280	24	8x23	570	315	139	330	290	26	12x23	570	355	162
KLAPE	DISC	AISI 420 / CuZn39Pb3	250A	250	385	345	26	12x23	740	355	246	400	355	30	12x25	740	450	304
CİVATA	BOLT	STEEL	300A	300	430	390	28	12x23	840	400	377	445	400	32	16x25	840	500	-
SALMASTRA	PACKING	GRAPHITE	350A	350	480	435	30	12x25	940	500	-	-	-	-	-	-	-	-
SALMASTRA BURCU	PACKING BUSH	CuZn39Pb3	400A	400	540	495	30	16x25	1050	630	-	-	-	-	-	-	-	-
GLEN	GLAND	GG 20	-	-	-	-	-	-	-	-	-	-	-	-	-	-	-	-
CİVATA	BOLT	STEEL	-	-	-	-	-	-	-	-	-	-	-	-	-	-	-	-
PUL	WASHER	STEEL	-	-	-	-	-	-	-	-	-	-	-	-	-	-	-	-
CİVATA	SCREW	STEEL	-	-	-	-	-	-	-	-	-	-	-	-	-	-	-	-
KAPAK MİL BURCU	SCREWED BON. BUSH	CuZn39Pb3	-	-	-	-	-	-	-	-	-	-	-	-	-	-	-	-
HENDİL	HANDWHEEL	GG 20	-	-	-	-	-	-	-	-	-	-	-	-	-	-	-	-
KOPİLYA	SPLIT PIN	CuZn39Pb3	-	-	-	-	-	-	-	-	-	-	-	-	-	-	-	-



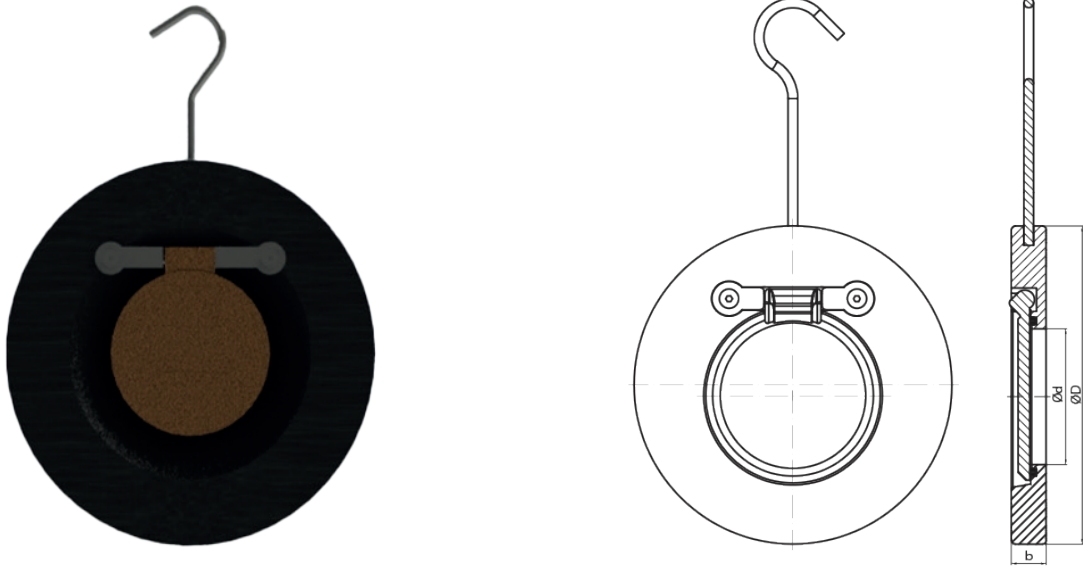
JIS Tip Glob Vana (Gönye Tip) / JIS Type Globe Valve (Angle Type)



PARÇA ADI	PART NAME	MALZEME / MATERIAL	ÖLÇÜ	FLANŞ JIS 5K								FLANŞ JIS 10K						
				Ød	øD	øk	b	nxøh	L	øD2	KG	øD	øk	b	nxøh	L	øD2	KG
GÖVDE	BODY	GG 20	50A	50	130	105	16	4x15	100	160	13	155	120	20	4x19	120	160	18
CONTA	GASKET	KLINGRIT	65A	65	155	130	18	4x15	115	180	18	175	140	22	4x19	130	200	25
KAPAK	COVER	GG 20	80A	80	180	145	18	4x19	130	180	23.5	185	150	22	8x19	140	200	27
MİL	STEM	AISI 420 / CuZn39Pb3	100A	100	200	165	20	8x19	150	224	34	210	175	24	8x19	160	250	41
EMNİYET PULU	DISK LOCK WASHER	CuZn39Pb3	125A	125	235	200	20	8x19	170	250	46	250	210	24	8x23	180	280	70
KLAPÉ SOMUN	DISC NUT	AISI 420 / CuZn39Pb3	150A	150	265	230	22	8x19	190	280	63.5	280	240	26	8x23	205	315	81
SIZDIR MAZLIK BİLE ZİK	SEALING RING	AISI 420 / CuZn39Pb3	200A	200	320	280	24	8x23	220	315	105	330	290	26	12x23	213	355	125
KLAPÉ	DISC	AISI 420 / CuZn39Pb3	250A	250	385	345	26	12x23	275	355	176	400	355	30	12x25	290	450	211
CİVATA	BOLT	STEEL	300A	300	430	390	28	12x23	310	400	243	445	400	32	16x25	320	500	--
SALMASTRA	PACKING	GRAPHITE	350A	350	480	435	30	12x25	360	500	--	490	445	34	16x25	360	560	--
SALMASTRA BURCU	PACKING BUSH	CuZn39Pb3	400A	400	540	495	30	16x25	395	560	--	560	510	36	16x27	420	630	--
GLEN	GLAND	GG 20																
CİVATA	BOLT	STEEL																
PUL	WASHER	STEEL																
CİVATA	SCREW	STEEL																
KAPAK MİL BURCU	SCREWED BON. BUSH	CuZn39Pb3																
HENDİL	HANDWHEEL	GG 20																
KOPİLYA	SPLIT PIN	CuZn39Pb3																
SOMUN	NUT	STEEL																



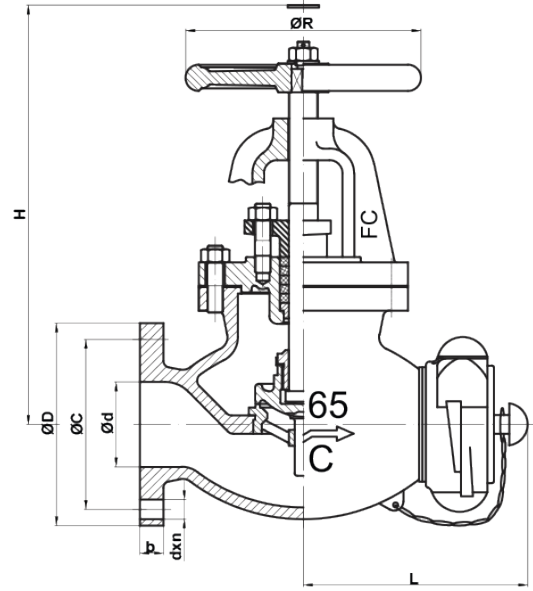
Wafer Tip alpara ek Valf / Wafer Type Swing Check Valve



PARA ADI	PART NAME	MALZEME / MATERIAL	SIZE	DN40	DN50	DN65	DN80	DN100	DN125	DN150	DN200	DN250	DN300	DN350	DN400
GVDE	BODY	ST42/SS 316/RG5	ød	22	32	40	54	70	92	112	158	192	234	266	305
O RİNG	O RING	NBR/EPDM	ød	94	109	129	144	164	195	220	275	330	380	440	490
KLAPE	DISC	AISI 316/ALU.BRONZE	b	14	16	16	16	18	18	20	22	25	30	38	40
PUL	WASHER	AISI 304	KG	0,7	1	1,5	1,8	3,4	3,7	5	10	13	19	31,5	41
IVATA	BOLT	AISI 304													
MAPA	EYE BOLT	SAE 1040													



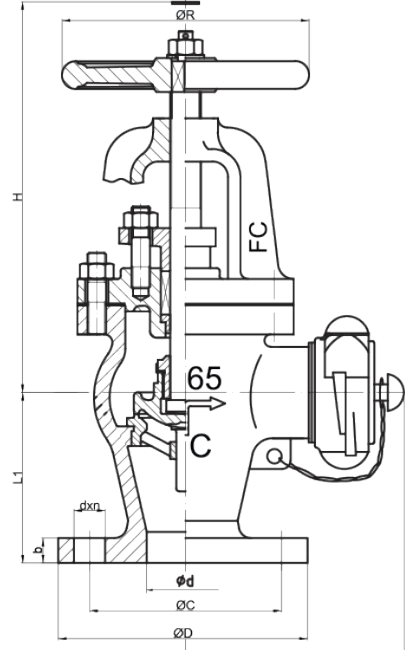
JIS Tip Yangın Vanası(Dz Tip) / JIS Type Fire Hose Valve(Straight Type)



PARA ADI	PART NAME	MALZEME / MATERIAL	L	FLANŖ JIS 5K										FLANŖ JIS 10K						
				d	D	k	b	H	L	nxd	R	KG	D	k	b	H	L	dxn	R	KG
GVDE	BODY	GG 25	50	50	130	105	16	270	165	4x15	160	15	155	120	20	285	170	4x19	160	19
KAPAK	BONNET	CuZn40	65	65	155	130	18	310	175	4x15	200	21	175	140	22	310	200	4x19	200	28
SALMASTRA	PACKING	CuZn40																		
GLEN	GLAND	2Cr13																		
KAPAK	COVER	GG 25																		
MİL	STEM	AISI 420																		
KLAPE SOMUNU	DISC NUT	2Cr13																		
CONTA	GASKET	2Cr13																		
KLAPE	DISC	2Cr13																		
SİT	SEAT	2Cr13																		
SOMUN	NUT	St 37																		
İVATA	BOLT	St 37																		
SOMUN	NUT	St 37																		
İVATA	BOLT	St 37																		
SALMASTRA	GRAPHITE PACKING	Graphite																		
MİL CONTASI	ASBESTOS FREE	Graphite																		
HENDİL	HANDWHELL	GG 25																		
RONDELA	WASHER	St 37																		
SOMUN	NUT	St 37																		
KOPİLYA	SPLIT PIN	STEEL																		



JIS Tip Yangın Vanası(Gnye Tip) / JIS Type Fire Hose Valve(Angle Type)



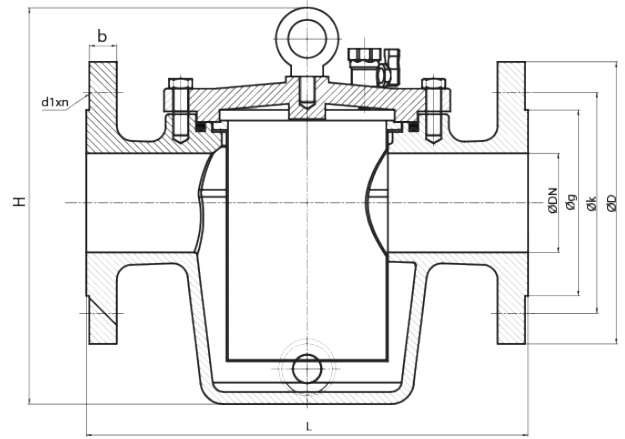
FLANŖ JIS 5K

FLANŖ JIS 10K

PARA ADI	PART NAME	MALZEME / MATERIAL	LU	d	D	k	b	H	L	L1	nxd	R	KG	D	k	b	H	L	L1	dxn	R	KG
GVDE	BODY	GG 25	50	50	130	105	16	240	155	100	4x15	160	13	155	120	20	255	170	110	4x19	160	17
KAPAK	BONNET	CuZn40	65	65	155	130	18	270	175	130	4x15	200	17	175	140	22	270	185	130	4x19	200	24
SALMASTRA	PACKING	CuZn40																				
GLEN	GLAND	2Cr13																				
KAPAK	COVER	GG 25																				
MİL	STEM	AISI 420																				
KLAPE SOMUNU	DİSC NUT	2Cr13																				
CONTA	GASKET	2Cr13																				
KLAPE	DISC	2Cr13																				
SİT	SEAT	2Cr13																				
SOMUN	NUT	St 37																				
ÇİVATA	BOLT	St 37																				
SOMUN	NUT	St 37																				
ÇİVATA	BOLT	St 37																				
SALMASTRA	GRAPHITE PACKING	Graphite																				
MİL CONTASI	ASBESTOS FREE	Graphite																				
HENDİL	HANDWHELL	GG 25																				
RONDELA	WASHER	St 37																				
SOMUN	NUT	St 37																				
KOPILYA	SPLIT PIN	STEEL																				



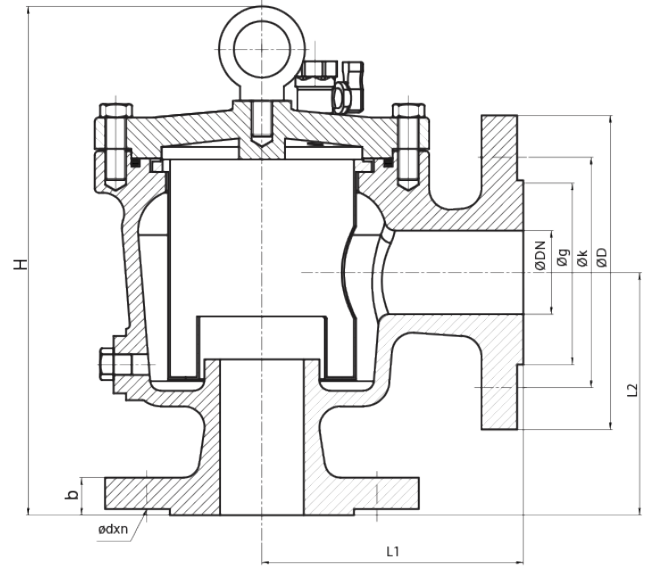
Çamur Sandığı (Düz Tip) / Mud Box (Straight Type)



PARÇA ADI	PART NAME	MALZEME / MATERIAL	DN	L	H	ØD	Øk	Øg	b	Ød1xn	KG
GVDE	BODY	GGG40.3/RG5-10	32	200	200	140	100	78	18	18x4	10
SEPET	SCREEN	GAL.STEEL/AISI 316 / BRASS	40	200	200	150	110	88	20	18x4	10
O RING	O RING	NBR	50	230	221	165	125	102	20	18x4	14
KAPAK	BONNET	GGG40.3/RG5-10	65	290	254	185	145	122	20	18x4	21
ÇİVATA	BOLT	STEEL	80	310	290	200	160	138	22	18x8	27
KR TAPA	PLUG	MS 58	100	350	335	220	180	158	24	18x8	36
KRESEL VANA	BALL VALVE	MS 58	125	400	407	250	210	188	26	18x8	56
AYBOLT ÇİVATA	RING BOLT	SAE 1040	150	480	460	285	240	212	26	22x8	78
			200	600	575	340	295	268	30	22x12	130
			250	600	610	405	355	320	32	26x12	160
			300	600	750	460	410	378	26	26x12	-
			350	800	740	520	470	438	35	26x16	-
			400	740	875	580	525	490	32	30x16	-



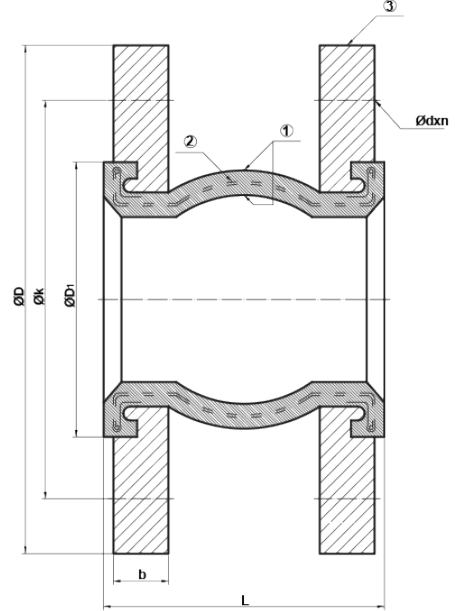
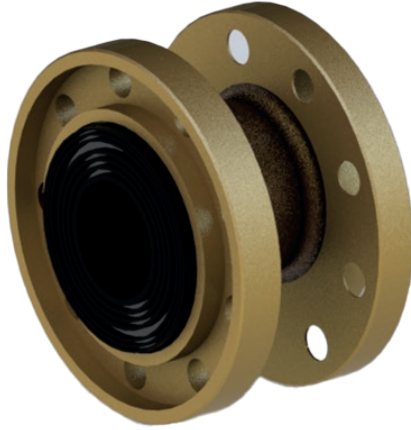
Çamur Sandığı (Gnye Tip) / Mud Box (Angle Type)



PARÇA ADI	PART NAME	MALZEME / MATERIAL	DN	L1	L2	H	ØD	Øk	Øg	b	Ød.xn	KG
GVDE	BODY	GGG40.3/RG5-10	32	125	125	228	140	100	78	18	18x4	11
SEPET	SCREEN	GAL.STEEL/AISI 316 / BRASS	40	125	125	228	150	110	88	20	18x4	12
O RING	O RING	NBR	50	135	135	246	165	125	102	20	18x4	17
KAPAK	BONNET	GGG40.3/RG5-10	65	150	150	271	185	145	122	20	18x4	21
CİVATA	BOLT	STEEL	80	175	175	320	200	160	138	22	18x8	29
KR TAPA	PLUG	MS 58	100	195	195	361	220	180	158	24	18x8	42
KRESEL VANA	BALL VALVE	MS 58	125	220	220	407	250	210	188	26	18x8	58
AYBOLT CİVATA	RING BOLT	SAE 1040	150	270	270	480	285	240	212	26	22x8	89
			200	300	300	540	340	295	268	30	22x12	138
			250	390	390	665	405	355	320	32	26x12	165
			300	375	375	780	460	410	370	30	26x12	-
			350	400	400	830	520	470	429	30	26x16	-
			400	420	420	1000	580	525	480	38	30x16	-



Kauçuk Kompansatr / Rubber Expansion Joint

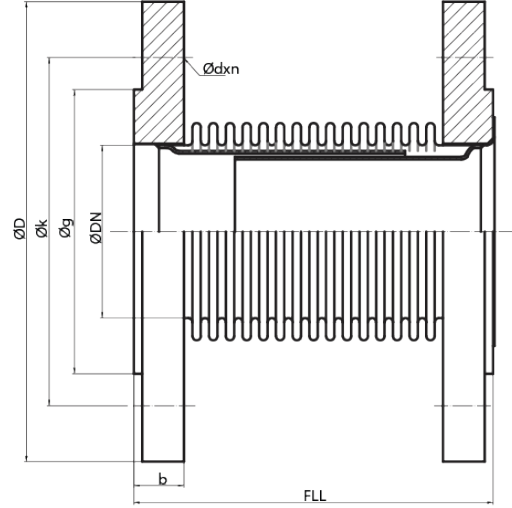


DN	L	ØD ₁	ØD	k	b	Ødxn	Eksenel Uzama(mm)	Eksenel Bzlme(mm)	Yan Hareket (mm)	Açısal Haraket(°)	KG
32	100	76	140	100	18	18x4	6	9	9	15°	2
40	100	76	150	110	18	18x4	6	10	9	15°	2,5
50	100	86	165	125	20	18x4	7	10	10	15°	3
65	100	101	185	145	20	18x4	7	13	11	15°	3,85
80	100	116	200	160	20	18x8	8	15	12	15°	4,65
100	100	140	220	180	22	18x8	10	19	13	15°	5,4
125	120	168	250	210	22	18x8	12	19	13	15°	7,2
150	120	198	285	240	24	22x8	12	20	14	15°	8,85
200	120	254	340	295	26	22x12	16	25	22	15°	11
250	130	312	405	355	28	26x12	16	25	22	15°	16,2
300	130	375	460	410	28	26x12	16	25	22	15°	24,3
350	160	432	520	470	30	26x16	16	25	22	15°	32,5

PARÇA ADI	PART NAME	MALZEME / MATERIAL
KRK	BELLOWS	EPDM - NBR
TEL	STRAINER	YAY ÇELİĐİ
FLANŖ	FLANGE	GGG40.3 - ST37 - POLYAMID



Metal Krkl Kompansatr / Metal Bellow Expansion Joint

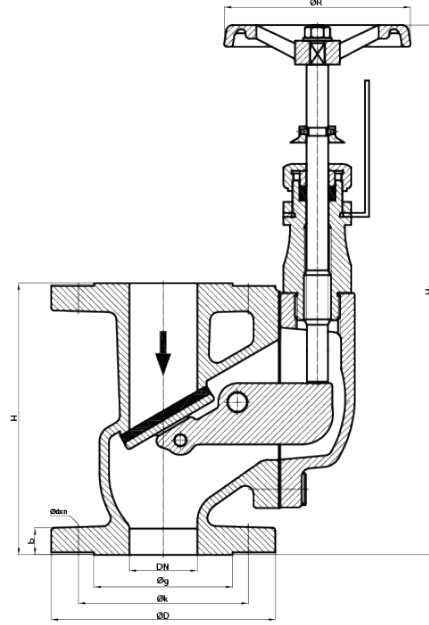


DN	ØD	Øk	Øg	Øb	Ødxn	L ₀ : 30mm		L ₀ : 60mm		KG	
						FLL	KBL	FLL	KBL	FLL	KBL
25	115	85	68	16	14x4	120	170			2	0,20
32	140	100	78	16	18x4	120	170			3,3	0,43
40	150	110	88	16	18x4	120	170			3,9	0,60
50	165	125	102	18	18x4	120	170			4,6	0,76
65	185	145	122	18	18x4	120	170	180	230	6	1,1
80	200	160	138	20	18x8	120	190	180	230	6,7	1,5
100	220	180	158	20	18x8	130	190	190	260	8,2	2,2
125	250	210	188	22	18x8	140	200	190	260	10,4	2,6
150	285	240	212	22	22x8	140	200	200	280	15,6	3,4
200	340	295	268	24	22x12	140	200	200	280	19	4,8
250	405	355	320	26	26x12	150	200	210	280	21,4	10,74

PARÇA ADI	PART NAME	MALZEME / MATERIAL
FLANŖ	FLANGE	ST37
KRK	BELLOWS	AISI 304 - 316 - 321
LAYNER	SLEEVE	AISI 304 - 316 - 321



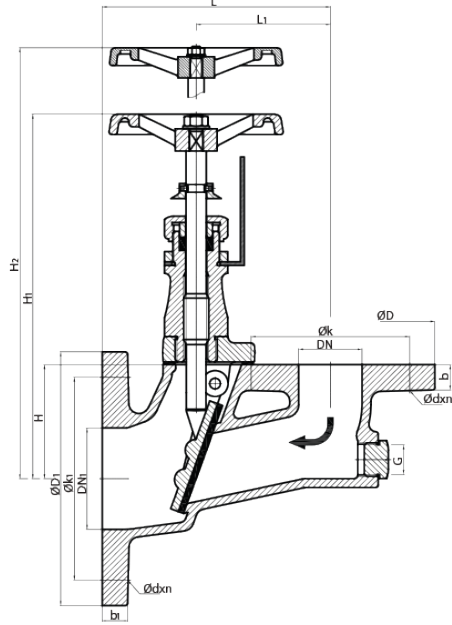
Tuvalet alparası-Firtına Vanası (Dz Tip) / Storm Valve (Straight Type)



PARA ADI	PART NAME	MALZEME / MATERIAL	DN	ØD	Øg	Øk	b	H	H ₁	ØR	Ødxn	STROK	KG
GVDE	BODY	GGG40.3/BRONZE	50	165	102	125	20	200	320	160	18x4	40	17,5
KLAPE	DISC	RG5	65	185	122	145	20	240	360	160	18x4	40	22
CONTA	GASKET	NBR	80	200	138	160	20	260	380	160	18x8	50	27
KLAPE AĐIRLIK	DISC WEIGHT	GGG40.3	100	220	158	180	22	300	430	200	18x8	50	38
PİM & KOPİLYA	PIN & KOTTER PIN	CuZn39Pb3	125	250	188	210	22	350	500	200	18x8	55	50
MERKEZLEME PİMİ	CENTER PIN	CuZn39Pb3	150	285	212	240	24	400	545	200	22x8	60	65
CONTA	GASKET	KLINGERIT											
KAPAK	BONNET	GGG40.3/BRONZE											
İVATA	BOLT	8.8 STEEL											
MİL	STEM	AISI 420											
ST KAPAK	LOCKING DİVECE	CuZn39Pb3											
GSTERGE	INDICATOR	AISI 304											
SOMUN	NUT	CuZn39Pb3											
SALMASTRA	PACKING	GRAPHITE											
BASKI RİNGİ	PRESS RING	CuZn39Pb3											
BASKI SOMUNU	PRESS NUT	CuZn39Pb3											
GSTERGE KOLU	INDICATOR ARM	AISI 304											
SETSKUR İVATA	GRUB SCREW	8.8 STEEL											
HENDİL	HANDWHEEL	GG25											
SOMUN & PUL	NUT & WASHER	STEEL											



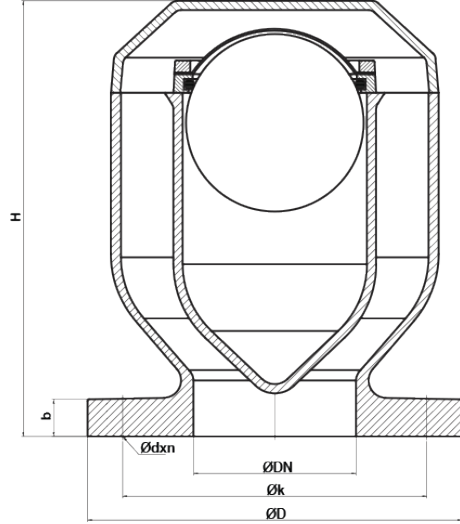
Tuvalet alparası-Firtına Vanası (Gnye Tip) / Storm Valve (Angle Type)



PARA ADI	PART NAME	MALZEME / MATERIAL	DN	DN ₁	D	D ₁	k	k ₁	b	b ₁	L	L ₁	H	H ₁	Ødxn	Ød,xn	G	KG
GVDE	BODY	GGG40.3/BRONZE	50	80	165	200	125	160	20	20	180	96	90	290	18x4	18x8	3/4"	12,5
KLAPE	DISC	RG5	65	100	185	220	145	180	20	22	200	107,5	100	295	18x4	18x8	3/4"	16
CONTA	GASKET	NBR	80	125	200	250	160	210	20	22	215	129	108	305	18x8	18x8	3/4"	20
KAPAK	BONNET	GGG40.3/BRONZE	100	150	220	285	180	240	22	24	250	145	130	340	18x8	22x8	1"	27,5
PİM & KOPİLYA	PIN & KOTTER PIN	CuZn39Pb3	125	175	250	315	210	270	22	24	290	177	152	400	18x8	22x8	1"	37
CONTA	GASKET	NBR	150	200	285	340	240	295	24	26	330	199	176	425	22x8	22x8	1"	52
CİVATA	BOLT	8.8 STEEL																
MİL	STEM	AISI 420/BRASS																
ST KAPAK	LOCKING DEVICE	CuZn39Pb3																
GSTERGE	INDICATOR	AISI 304																
SOMUN	NUT	CuZn39Pb3																
SALMASTRA	PACKING	GRAPHITE																
BASKI RİNGİ	PRESS RING	CuZn39Pb3																
BASKI SOMUNU	PRESS NUT	CuZn39Pb3																
GSTERGE KOLU	INDICATOR ARM	AISI 304																
SETSKUR CİVATA	GRUB SCREW	AISI 304																
HENDİL	HANDWHEEL	GG25																
SOMUN & PUL	NUT & WASHER	STEEL																
KR TAPA	PLUG	CuZn39Pb3																



Hava Firar Başlığı / Air Vent Pipe Head



	PN6		PN10		PN16		5K		10K					
	ØD	b	H	Kg	Øk	Ødxn	Øk	Ødxn	Øk	Ødxn	Øk	Ødxn	Øk	Ødxn
DN50	165	20	160	5,35	110	14x4	125	18x4	125	18x4	105	15x4	120	19x4
DN65	185	20	195	7,7	130	14x4	145	18x4	145	18x8	130	15x4	140	19x4
DN80	200	20	218	9,6	150	18x4	160	18x8	160	18x8	145	19x4	150	19x8
DN100	220	22	260	13,2	170	18x4	180	18x8	180	18x8	165	19x8	175	19x8
DN125	250	22	305	19	200	18x8	210	18x8	210	18x8	200	19x8	210	19x8
DN150	285	24	365	27,3	225	18x8	240	22x8	240	22x8	230	19x8	240	23x8
DN200	340	26	460	47	280	18x8	295	22x8	295	22x12	280	23x8	290	23x12
DN250	405	28	570	78	335	18x12	350	22x12	355	26x12	345	23x12	355	25x12
DN300	460	28	730	142	395	22x12	400	22x12	410	26x12	390	23x12	400	25x16
DN350	520	30	815	195	445	22x12	460	22x16	470	26x12	435	25x12	445	25x16
DN400	580	32	846	223	495	22x16	515	22x16	525	30x16	495	25x16	510	27x16

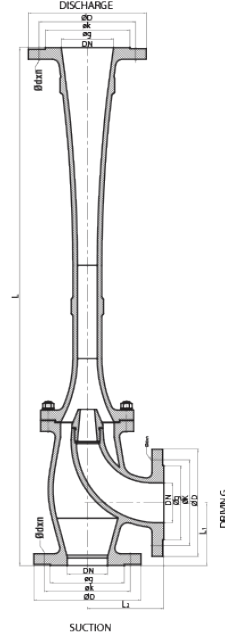
DÖKME DEMİR GÖVDELİ / CAST IRON BODY

ALÜMİNYUM GÖVDELİ / ALUMINIUM BODY

PARÇA ADI	PART NAME	MALZEME / MATERIAL	PARÇA ADI	PART NAME	MALZEME / MATERIAL
GÖVDE	BODY	GG25	GÖVDE	BODY	G-AISi7Mg/G-AIMg3Si/G-AIMg5Si
TOP	BALL	P.E.	TOP	BALL	P.E.
O RING FLANŞI	O RING HOLDER RING	RG5	CONTA FLANŞI	GASKET HOLDER RING	G-AISi7Mg/G-AIMg3Si/G-AIMg5Si
O RING	O RING	NBR	CONTA	GASKET	EPDM
TEL	STRAINER	316	TEL	STRAINER	316
TEL BASKI FLANŞI	STRAINER HOLDER RING	RG5	TEL BASKI FLANŞI	STRAINER HOLDER RING	G-AISi7Mg/G-AIMg3Si/G-AIMg5Si
CIVATA	BOLT	316	CIVATA	BOLT	316
KAPAK	BONNET	GG25	KAPAK	BONNET	G-AISi7Mg/G-AIMg3Si/G-AIMg5Si
			FLANŞ CONTASI	FLANGE GASKET	EPDM
			CIVATA BURCU	BOLT SLEEVE	NYLON6



Ejektr (Bronz) / Ejector (Bronze)

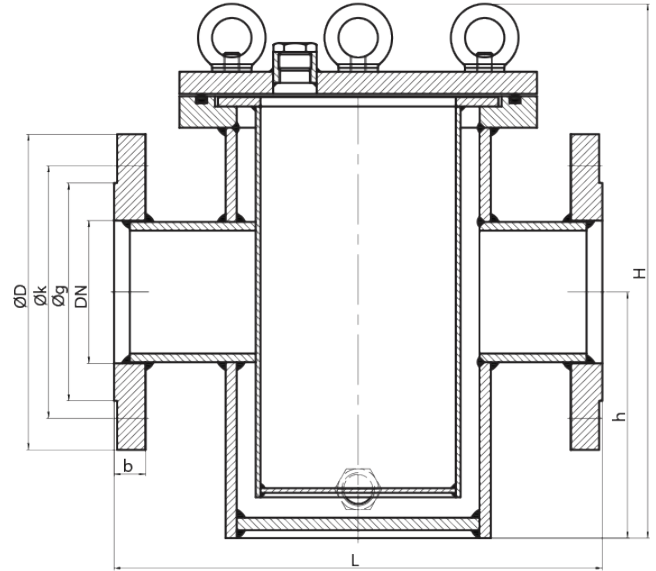


L / DIM	DN	D	k	g	dxn	DN	D	k	g	dxn	DN	D	k	g	dxn	L ₁	L ₂	L	KG
1 1/2"x2"x2 1/2"	40	150	110	88	18x4	50	165	125	108	18x4	65	185	145	122	18x4	115	115	580	16.1
2 1/2"x2 1/2"x3"	65	185	145	122	18x4	65	185	145	122	18x4	80	200	160	138	18x8	115	135	730	31.5
2"x3"x3"	50	165	125	102	18x4	80	200	160	138	18x8	80	200	160	138	18x8	115	135	678	31.5
3"x4"x4"	80	200	160	138	18x8	100	220	180	158	18x8	100	220	180	158	18x8	125	142.5	960	48.2
3"x3"x4"	80	200	160	138	18x8	80	200	160	138	18x8	100	220	180	158	18x8	117	142.5	960	46
4"x5"x5"	100	220	180	158	18x8	125	250	210	188	18x8	125	250	210	188	18x8	125	165	1070	60
4"x4"x5"	100	220	180	158	18x8	100	220	180	158	18x8	125	250	210	188	18x8	125	168	1055	58
5"x6"x6"	125	250	210	188	18x8	150	285	240	212	22x8	150	285	240	212	22x8	130	200	1330	84

PARA ADI	PART NAME	MALZEME / MATERIAL
GVDE	BODY	RG5
DIFZR	DIFFUSOR	RG5
NOZUL	NOZZLE	AISI 316L
CONTA	GASKET	KLINGRIT
SAPLAMA	STUD	AISI 316L
YAYLI RONDELA	SPRING LOCK WASHER	AISI 316L
FİBERLİ SOMUN	HEXAGON NYLON NUT	AISI 316L



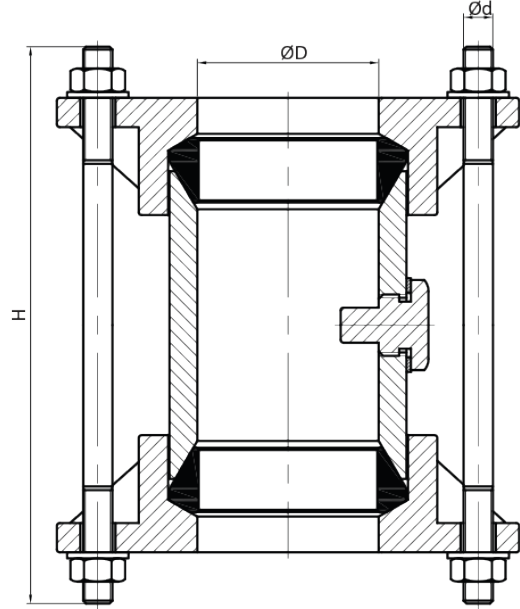
Deniz Suyu Filtresi / Sea Water Filter



PARÇA ADI	PART NAME	MALZEME / MATERIAL	DN	ØD	Øk	Øg	L	b	h	H	Ødxn	KG
GÖVDE	BODY	ST42+GALVANISED	32	140	100	78	200	18	96	255	18x4	13
BORU	PIPE	ST42+GALVANISED	40	150	110	88	200	18	96	255	18x4	13
FLANŞ	FLANGE	ST42+GALVANISED	50	165	125	102	230	20	106	280	18x4	14,5
MANŞON	SLEEVE	AISI 304	65	185	145	122	290	20	134	310	18x4	24
KÖR TAPA	PLUG	Ms 58	80	200	160	138	310	22	156	340	18x8	32
SEPET	SCREEN	GAL. STEEL / AISI 316	100	220	180	158	350	24	185	395	18x8	40
ÜST FLANŞ	TOP FLANGE	ST42+GALVANISED	125	250	210	188	400	26	229	485	18x8	55
O RING	O RING	NBR	150	285	240	212	480	26	268	538	22x8	82
ÜST KAPAK	TOP BONNET	ST42+GALVANISED	200	340	295	268	600	30	320	640	22x12	150
AYBOLT SOMUN	RING BOLT	SAE 1040	250	405	355	320	640	32	350	695	26x12	200
AYBOLT SOMUN	RING BOLT	SAE 1040	300	460	410	370	760	32	420	795	26x12	240
			350	520	470	438	800	30	400	830	26x16	-
			400	580	525	490	800	32	424	900	30x16	-
			500	715	650	610	950	34	550	1130	33x20	-



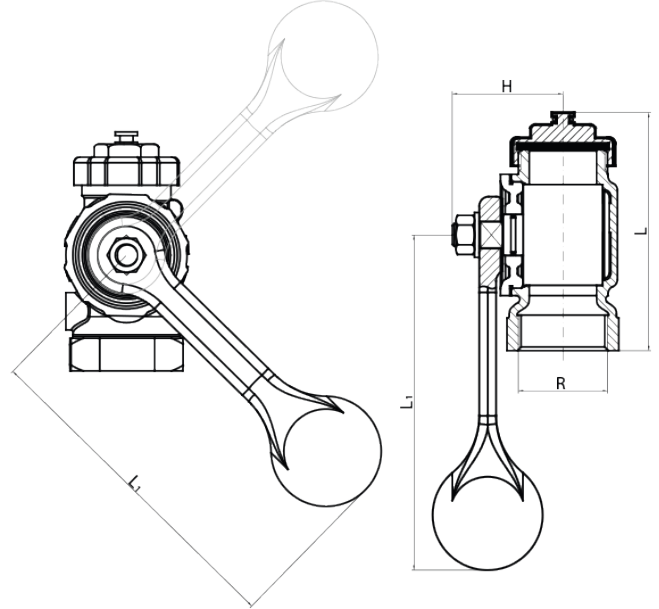
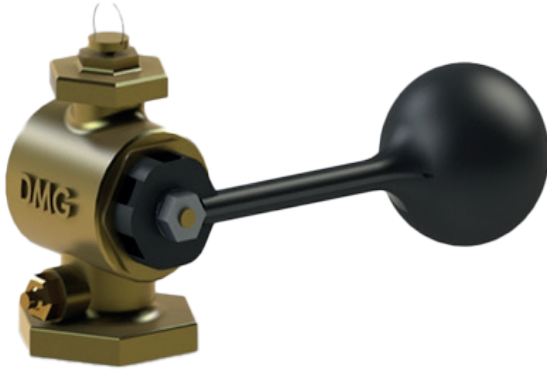
Boru Bađlama Kaplini / Pipe Coupling



PARA ADI	PART NAME	MALZEME / MATERIAL	DN	PN	ØD	H	Ødxn	KG
GVDE	BODY	GGG40.3	50	16	62	190	M10x4	5,35
BORU	PIPE	ST42	65	16	79	190	M10x4	7,40
PUL	WASHER	COPPER	80	16	91	190	M10x4	7,85
TAPA	PLUG	AISI 316	100	16	117	190	M10x4	9,10
CONTA	GASKET	NBR	125	16	144	190	M10x6	12,00
SAPLAMA	STUD	6.8 STEEL	150	16	171	210	M12x6	15,00
SOMUN & PUL	NUT & WASHER	5.2 STEEL	200	16	222	210	M12x8	20,00
			250	16	276	220	M14x8	27,00
			300	16	327	240	M14x10	32,00
			350	6	360	290	M16x10	45,00
			400	6	411	300	M18x10	-
			450	6	461	300	M18x10	-
			500	6	515	300	M18x10	-



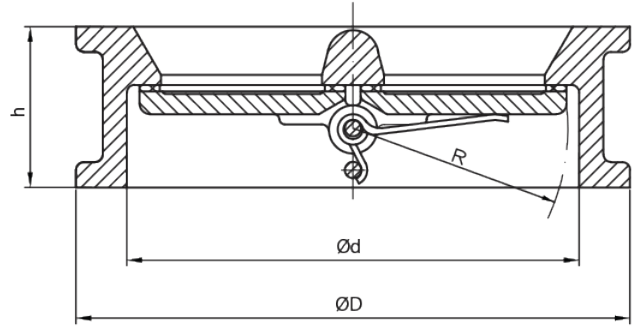
Agrırlıklı Iskandil Vanası (Bronz) / Sounding Cock (Bronze)



PARA ADI	PART NAME	MALZEME / MATERIAL	DN	R	L	L ₁	H	KG
GVDE	BODY	RG5	40	1 1/2"	130	180	60	2,8
SİLİNDİR	CYLINDER	RG5	50	2"	140	180	60	3
O RİNG	O RING	NBR						
KAPAK	BONNET	RG5						
KOL	LEVER	GGG 40,3						
PUL& SOMUN	WASHER & NUT	AISI 316						
TAPA	PLUG	RG5						
CONTA	GASKET	NBR						
TEL	WIRE	AISI 304						
TAHLİYE SUBABI	NOZZLE	CuZn39Pb3						
BUTON	BUTTON	CuZn39Pb3						
O RİNG	ORING	NBR						
YAY	SPRING	SPRING STEEL C						



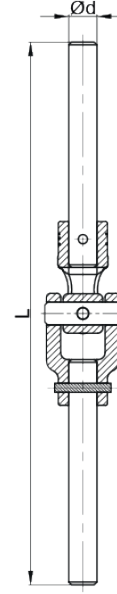
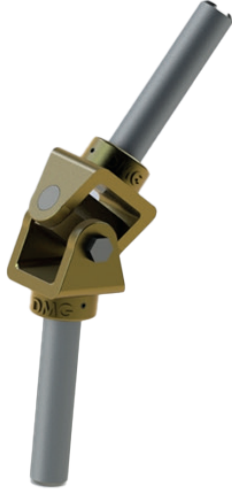
ift Klapeli ek Valf / Dual Plate Check Valve



PARA ADI	PART NAME	MALZEME / MATERIAL	L	DN50	DN65	DN80	DN100	DN125	DN150	DN200	DN250	DN300	DN350	DN400
GVDE	BODY	GGG 40.3 / GG 25	d	65	80	94	117	145	170	224	265	310	360	410
KLAPE	DISC	AISI 316 / Alu. Bronze	D	107	127	142	162	192	218	268	327	384	438	488
SİT	SEAT	NBR / EPDM	h	43	46	64	64	70	76	89	114	114	127	140
MENTEŐE PİMİ	HINGING PIN	Gr 33	R	28,8	36,1	43,4	50	68,2	78,6	104,5	128	148,3	172,4	198
YAY	SPRING	AISI 304	KG	1,5	2,4	3,6	5,7	7,3	9	17	26	42	55	75
MİL	STEM	AISI 416												
PUL	WASHER	AISI 304												
KLAPE PULU	DISC WASHER	AISI 304												
CONTA	GASKET	NBR												
SETUSKUR	GRUB SCREW	St 37												



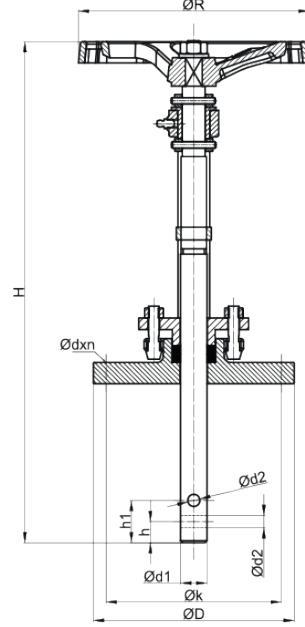
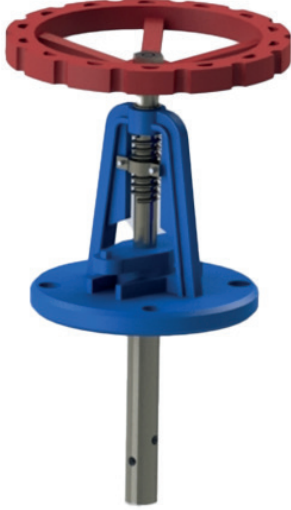
Mafsal / Joint



PARA ADI	PART NAME	MALZEME / MATERIAL	L	DIMENSION	d	L	KG
GVDE	BODY	RG5	KK BOY MAFSAL	SMALL JOINT	20	375	2,75
MİL	STEM	SAE 1040	BYK BOY MAFSAL	LARGE JOINT	25	435	4,35
PİM	PIN	SAE 1040					
TUTUCU KP	CUBE	CuZn39Pb3					
MERKEZLEME PİMİ	CENTER PIN	AISI 304					
İVATA & SOMUN	BOLT & NUT	AISI 304					



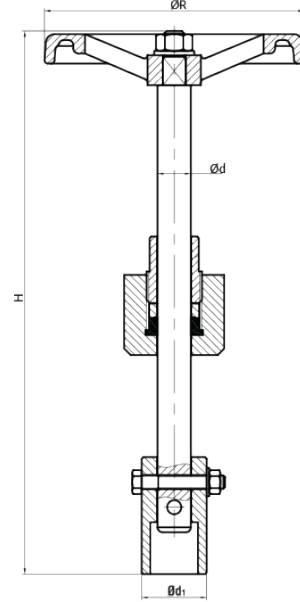
Kumanda Kolu / Deck Stand Remote Control



PARA ADI	PART NAME	MALZEME / MATERIAL	L	D	k	dxn	d ₁	d ₂	h	h ₁	R	H	Kg
GVDE	BODY	GG25 (JL1040)	KK BOY KUMANDA KOLU	190	150	18x4	25	11,5	20	40	200	500	13,5
MİL	STEM	AISI 304	ORTA BOY KUMANDA KOLU	190	150	18x4	25	11,5	20	40	200	600	16,5
SALMASTRA	PACKING	GRAPHITE	BYK BOY KUMANDA KOLU	240	200	18x8	35	11,5	40	100	250	790	32
GLEN	GLAND	GGG40.3 (JS1049)											
GSTERGE	INDICATOR	RG 5											
CIVATA	BOLT	8.8 STEEL											
GRESR	LUBRICATOR	STEEL											
SOMUN&PUL	NUT & WASHER	8.8 STEEL											
PİM	PIN	AISI 304											
YZK	RING	AISI 304											
BUR	BUSHING	MS 58-											



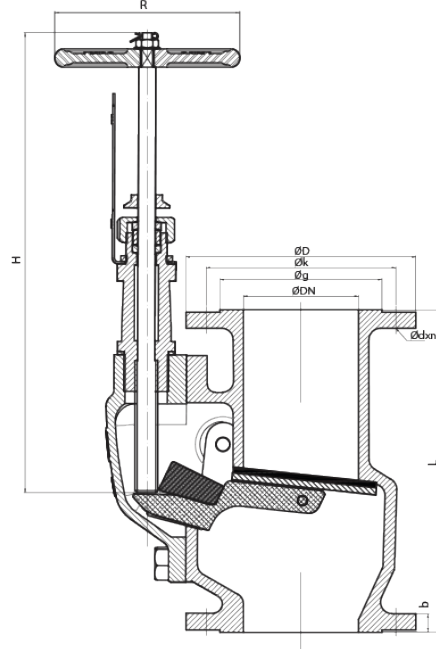
Rot BaŖlı Kumanda Kolu / Rod Head Remote Control



PARA ADI	PART NAME	MALZEME / MATERIAL	LU	DIMENSION	d	d ₁	R	H	KG
MİL	STEM	AISI 304	ROT BAŖLI KUMANDA KOLU	ROD HEAD REMOTE CONTROL	20	39	160	325	2,9
KARŖI MİL YATAĐI	STEM BEARING	CuZn39Pb3							
CİVATA & SOMUN	BOLT & NUT	8.8 STEEL							
YATAK	BEARING	CuZn39Pb3							
SALMASTRA	PACKING	GRAPHITE							
SALMASTRA BASKI RİNGİ	PACKING PRESS RING	CuZn39Pb3							
SALMASTRA BASKI VİDASI	PACKING PRESS SCREW	CuZn39Pb3							
HENDİL	HAND WHEEL	GG25							
PUL & SOMUN	WASHER & NUT	8.8 STEEL							



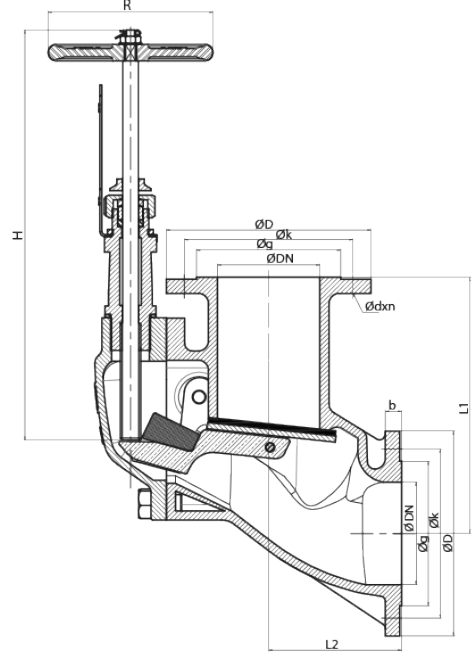
JIS Tip Tuvalet alparası (Dz Tip) / JIS Type Storm Valve (Straight Type)



PARA ADI	PART NAME	MALZEME / MATERIAL	FLANŖ JIS 5K											FLANŖ JIS 10K					FLANŖ JIS 16K					
			DN	L	H	R	ØD	Øk	g	b	Ødn	KG	ØD	Øk	g	b	Ødn	KG	ØD	Øk	g	b	Ødn	KG
GVDE	BODY	GSC25	50	210	131	100	130	105	85	14	15x4	12,5	155	120	96	16	19x4	13,5	155	120	96	16	19x8	13,5
KLAPE	DISC	RG5	65	240	141	100	155	130	110	14	15x4	18	175	140	116	18	19x4	19	175	140	116	18	19x8	19
CONTA	GASKET	NBR	80	260	155	125	180	145	121	14	19x4	23	185	150	126	18	19x8	23	200	160	132	20	23x8	23
KLAPE AĐIRLIK	DISC WEIGHT	GGG40.3	100	280	171	125	200	165	141	16	19x8	31	210	175	151	18	19x8	32	225	185	160	22	23x8	32
PİM & KOPİLYA	PIN & KOTTER PIN	CuZn39Pb3	125	330	195	125	235	200	176	16	19x8	50	250	210	182	20	23x8	51	270	225	195	22	25x8	51
MERKEZLEME PİMİ	CENTER PIN	CuZn39Pb3	150	360	212	125	265	230	206	18	19x8	67	280	240	212	22	23x8	69	305	260	230	24	25x12	69
CONTA	GASKET	KLINGERIT																						
KAPAK	BONNET	GSC25																						
IVATA	BOLT	8.8 STEEL																						
MİL	STEM	AISI 420																						
ST KAPAK	LOCKING DIVECE	CuZn39Pb3																						
GSTERGE	INDICATOR	AISI 304																						
SOMUN	NUT	CuZn39Pb3																						
SALMASTRA	PACKING	GRAPHITE																						
BASKI RİNGİ	PRESS RING	CuZn39Pb3																						
BASKI SOMUNU	PRESS NUT	CuZn39Pb3																						
GSTERGE KOLU	INDICATOR ARM	AISI 304																						
SETSKUR IVATA	GRUB SCREW	8.8 STEEL																						
HENDİL	HANDWHEEL	GG25																						
SOMUN & PUL	NUT & WASHER	STEEL																						



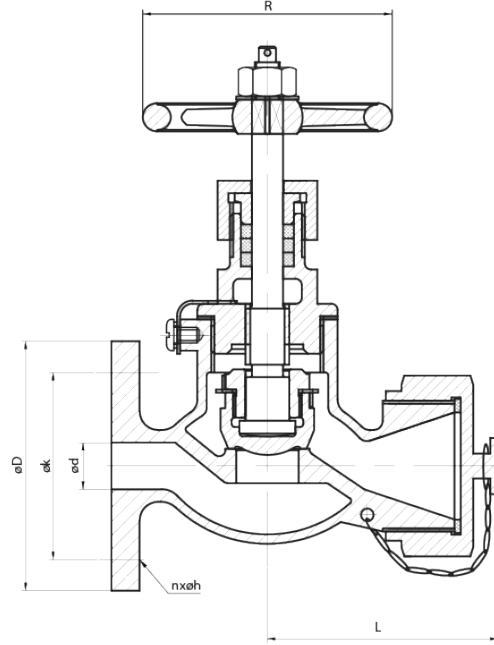
JIS Tip Tuvalet Çalparası (Gönye Tip) / JIS Type Storm Valve (Angle Type)



PARÇA ADI	PART NAME	MALZEME / MATERIAL	FLANŞ JIS 5K											FLANŞ JIS 10K				FLANŞ JIS 16K							
			DN	L1	L2	H	R	ØD	Øk	g	b	Ødxn	KG	ØD	Øk	g	b	Ødxn	KG	ØD	Øk	g	b	Ødxn	KG
GÖVDE	BODY	GSC25	50	170	90	131	100	130	105	85	14	Ø15x4	12	155	120	96	16	Ø19x4	13	155	120	96	16	Ø19x8	13
KLAPÉ	DISC	RG5	65	200	110	141	100	155	130	110	14	Ø15x4	17	175	140	116	18	Ø19x4	18	175	140	116	18	Ø19x8	18
CONTA	GASKET	NBR	80	220	120	155	125	180	145	121	14	Ø19x4	22	185	150	126	18	Ø19x8	23	200	160	132	20	Ø23x8	23
KLAPÉ AĞIRLIK	DISC WEIGHT	GGG40.3	100	250	130	171	125	200	165	141	16	Ø19x8	29	210	175	151	18	Ø19x8	30	225	185	160	22	Ø23x8	30
PİM & KOPİLYA	PIN & KOTTER PIN	CuZn39Pb3	125	270	150	195	125	235	200	176	16	Ø19x8	58	250	210	182	20	Ø23x8	51	270	225	195	22	Ø25x8	51
MERKEZLEME PİMİ	CENTER PIN	CuZn39Pb3	150	310	165	212	125	265	230	206	18	Ø19x8	53	280	240	212	22	Ø23x8	54	305	260	230	24	Ø25x12	54
CONTA	GASKET	KLINGERIT																							
KAPAK	BONNET	GSC25																							
ÇİVATA	BOLT	8.8 STEEL																							
MİL	STEM	AISI 420																							
ÜST KAPAK	LOCKING DİVECE	CuZn39Pb3																							
GÖSTERGE	INDICATOR	AISI 304																							
SOMUN	NUT	CuZn39Pb3																							
SALMASTRA	PACKING	GRAPHITE																							
BASKI RİNGİ	PRESS RING	CuZn39Pb3																							
BASKI SOMUNU	PRESS NUT	CuZn39Pb3																							
GÖSTERGE KOLU	INDICATOR ARM	AISI 304																							
SETSKUR ÇİVATA	GRUB SCREW	8.8 STEEL																							
HENDİL	HANDWHEEL	GG25																							
SOMUN & PUL	NUT & WASHER	STEEL																							



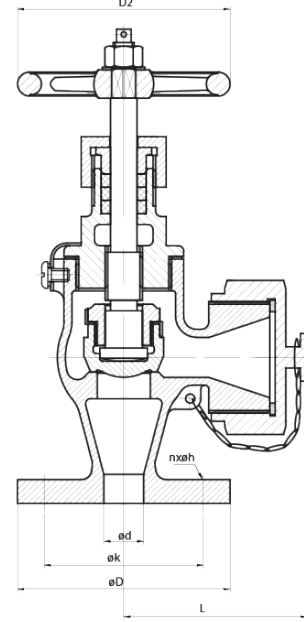
JIS Tip Yangın Vanası(Bronz, Düz Tip)/JIS Type Fire Hose Valve(Bronze, Straight Type)



PARÇA ADI	PART NAME	MALZEME / MATERIAL	ÖLÇÜ	FLANŞ JIS 5K								FLANŞ JIS 10K						
				ød	øD	øk	b	nxøh	L	øD2	KG	øD	øk	b	nxøh	L	øD2	KG
GÖVDE	BODY	RG5	15A	15	80	60	9	4x12	73	80	2,5	95	70	12	4x15	73	80	3
KAPAK	BONNET	RG5	25A	25	95	75	10	4x12	78	125	3,6	125	90	14	4x19	83	125	4
KLAPE	DISC	RG5	40A	40	120	95	12	4x15	124	140	6,3	140	105	16	4x19	133	140	8,5
KLAPE SOMUN	DISC NUT	CuZn39Pb3	50A	50	130	105	14	4x15	160	160	13	155	120	16	4x19	165	160	15,5
GLEN	GLAND	CuZn39Pb3	65A	65								175	140	18	4x19	200	200	28
MİL	STEM	CuZn39Pb3																
EMNİYET PULU	DISC LOCK WASHER	CuZn39Pb3																
CİVATA	BOL	STEEL																
CİVATA	BOLT	STEEL																
SALMASTRA	PACKING	GRAPHITE																
CONTA	GASKET	Klingrit																
SOMUN	NUT	STEEL																
ZİNCİR	CHAIN	AISI 420																
PUL	WASHER	STEEL																
KAPAK	BONNET	ZCuSn5Pb5nb																
HENDİL	HANDWHEEL	GG 20																
PUL	WASHER	STEEL																
SOMUN	NUT	STEEL																
KOPILYA	SPLIT PIN	CuZn39Pb3																



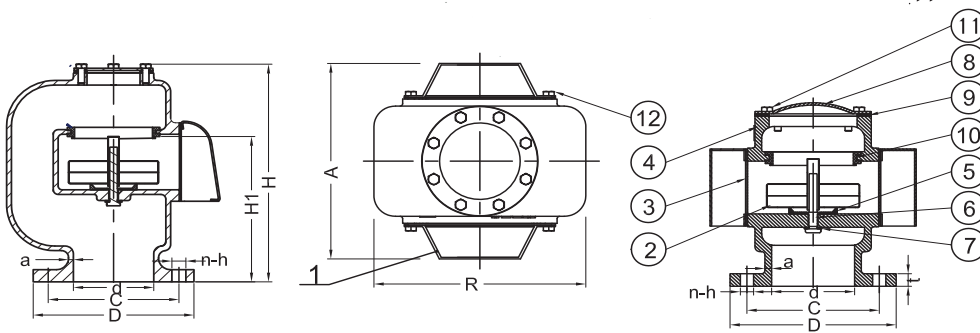
JIS Tip Yangın Vanası(Bronz, Gnye Tip)/JIS Type Fire Hose Valve(Bronze,Angle Type)



PARA ADI	PART NAME	MALZEME / MATERIAL	L	FLANŖ JIS 5K								FLANŖ JIS 10K							
				d	D	k	b	nxh	L	D2	KG	D	k	b	nxh	L	D2	KG	
GVDE	BODY	RG5	15A	15	80	60	9	4x12	68	80	2,4	95	70	12	4x15	73	80	2,8	
KAPAK	BONNET	RG5	25A	25	95	75	10	4x12	78	125	3,5	125	90	14	4x19	83	125	4	
KLAPE	DISC	RG5	40A	40	120	95	12	4x15	124	140	6	140	105	16	4x19	124	140	8,2	
KLAPE SOMUN	DISC NUT	CuZn39Pb3	50A	50	130	105	14	4x15	155	160	11	155	120	16	4x19	160	160	14,3	
GLEN	GLAND	CuZn39Pb3	65A	65								175	140	18	4x19	180	200	23	
MİL	STEM	CuZn39Pb3																	
EMNİYET PULU	DISC LOCK WASHER	CuZn39Pb3																	
CİVATA	BOL	STEEL																	
CİVATA	BOLT	STEEL																	
SALMASTRA	PACKING	GRAPHITE																	
CONTA	GASKET	Klingrit																	
SOMUN	NUT	STEEL																	
ZİNCİR	CHAIN	AISI 420																	
PUL	WASHER	STEEL																	
KAPAK	BONNET	ZCuSn5Pb5nb																	
HENDİL	HANDWHEEL	GG 20																	
PUL	WASHER	STEEL																	
SOMUN	NUT	STEEL																	
KOPİLYA	SPLIT PIN	CuZn39Pb3																	



JIS NORMU DİSK TİP HAVA FİRAR / JIS DISC TYPE AIR VENT HEAD



50A-80A

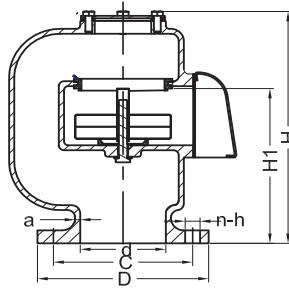
100A-450A

SIZE	d	Flange 5K				Flange 10K					a	H	H1	A	R	Weight kgs
		D	C	n-h	t	D	C	n-h	t							
50A	50	130	105	4*15	14	165	120	4*19	18	7	175	127	179	135	7,80	
65A	65	155	130	4*15	14	185	140	4*19	18	7	204	164	205	146	11,00	
BOA	80	180	145	4*19	14	200	150	8*19	20	7	244	176	237	156	15,00	
100A	100	200	165	8*19	16	220	175	8*19	20	8	220	160	245	250	18,00	
125A	125	235	200	8*19	16	250	210	8*23	22	8	250	180	270	288	24,00	
150A	150	265	230	8*19	18	285	240	8*23	22	9	285	208	316	330	35,00	
200A	200	320	280	8*23	20	340	290	12*23	24	9	365	269	394	432	57,00	
250A	250	385	345	12*23	22	395	355	12*25	26	9	430	314	485	546	90,00	
300A	300	430		12*23	22	445	400	16*25	26	10	530	367	550	616	121,00	
350A																
400A																
450A																

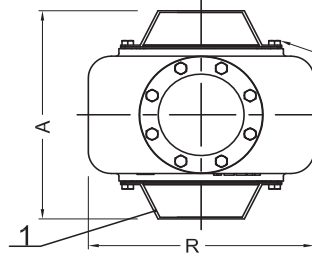
NO.	NAME OF PART	MATERIAL	CODE
1	Screen Cover	Galv+Steel	Galv+SS400
2	Float	Stainless Steel	SS304
3	Screen	Galv+Steel	Galv+SS400
4	Body	Cast Iron	FC200
5	Rubber Cushion	NBR	
6	Guide Bolt	Stainless Steel	SS304
7	Cushion	Stainless Steel	SS304
8	Cover	Galv+Steel	Galv+SS400
9	Cushion	NBR	
10	Gasket	NBR	
11	Hex.Bolt	Steel	SS400
12	Hex.Bolt	Steel	SS400



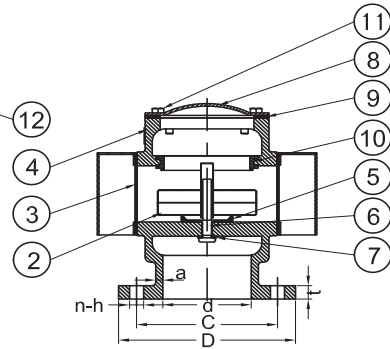
DN DİSK TİP HAVA FİRAR / DN DISC TYPE AIR VENT HEAD



50A-80A



100A-450A

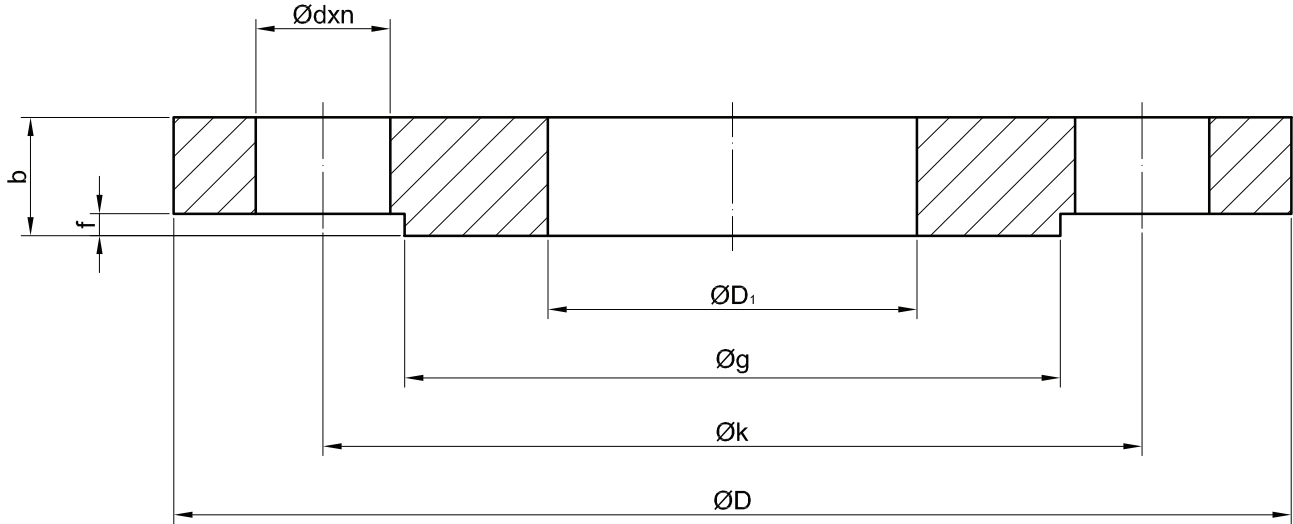


SIZE	d	Flange PN10				Flange PN16				a	H	H1	A	R	Weight kgs
		D	C	n-h	t	D	C	n-h	t						
50A	50	165	125	4*18	18	165	125	4*18	18	7	175	127	179	135	7,80
65A	65	185	145	4*18	18	185	145	4*18	18	7	204	164	205	146	11,00
BOA	80	200	160	8*18	20	200	160	8*18	20	7	244	176	237	156	15,00
100A	100	220	180	8*18	20	220	180	8*18	20	8	220	160	245	250	18,00
125A	125	250	210	8*18	22	250	210	8*18	22	8	250	180	270	288	24,00
150A	150	285	240	8*22	22	285	240	8*22	22	9	285	208	316	330	35,00
200A	200	340	295	8*22	24	340	295	12*22	24	9	365	269	394	432	57,00
250A	250	395	350	12*22	26	395	355	12*26	26	9	430	314	485	546	90,00
300A	300	445	400	12*22	26	445	410	12*26	26	10	530	367	550	616	121,00
350A															
400A															
450A															

NO.	NAME OF PART	MATERIAL	CODE
1	Screen Cover	Galv+Steel	Galv+SS400
2	Float	Stainless Steel	SS304
3	Screen	Galv+Steel	Galv+SS400
4	Body	Cast Iron	FC200
5	Rubber Cushion	NBR	
6	Guide Bolt	Stainless Steel	SS304
7	Cushion	Stainless Steel	SS304
8	Cover	Galv+Steel	Galv+SS400
9	Cushion	NBR	
10	Gasket	NBR	
11	Hex.Bolt	Steel	SS400
12	Hex.Bolt	Steel	SS400

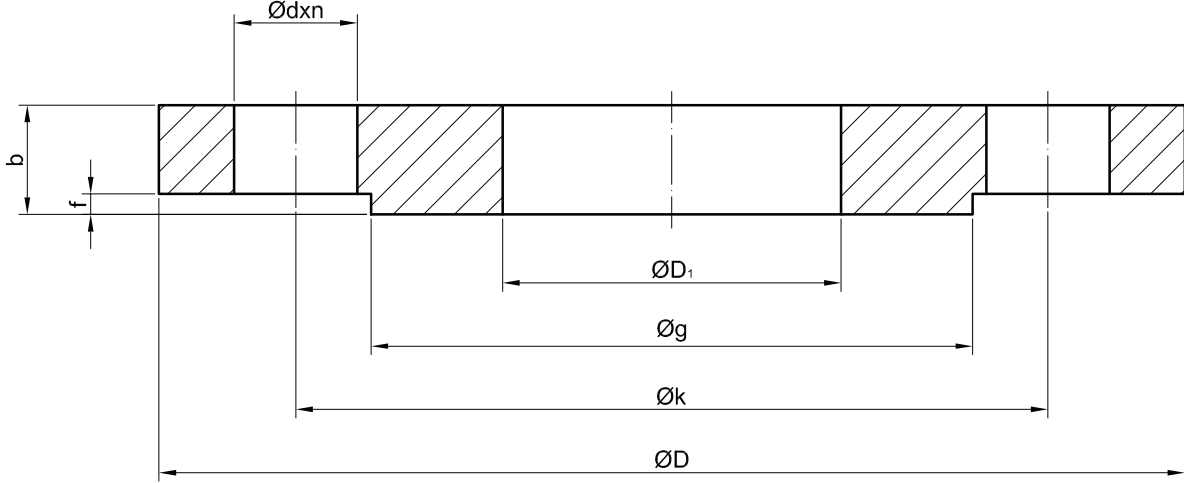


DIN NORMU FLANŞ ÖLÇÜLERİ / FLANGE DIMENSIONS ACC. TO DIN



DN	NPS	ØD ₁	f	PN6				PN10				PN16				PN25				PN40								
				ØD	Øg	Øk	b	Ødxn	ØD	Øg	Øk	b	Ødxn	ØD	Øg	Øk	b	Ødxn	ØD	Øg	Øk	b	Ødxn					
15	1/2"	22	2	80	40	55	12	Ø11x4	95	45	65	14	Ø14x4	95	45	65	14	Ø14x4	95	45	65	14	Ø14x4	95	45	65	14	Ø14x4
20	3/4"	27,5	2	90	50	65	14	Ø11x4	105	58	75	16	Ø14x4	105	58	75	16	Ø14x4	105	58	75	16	Ø14x4	105	58	75	16	Ø14x4
25	1"	34,5	2	100	60	75	14	Ø11x4	115	68	85	16	Ø14x4	115	68	85	16	Ø14x4	115	68	85	16	Ø14x4	115	68	85	16	Ø14x4
32	1 1/4"	43,5	2	120	70	90	16	Ø14x4	140	78	100	16	Ø18x4	140	78	100	18	Ø18x4	140	78	100	18	Ø18x4	140	78	100	18	Ø18x4
40	1 1/2"	49,5	3	130	80	100	16	Ø14x4	150	88	110	16	Ø18x4	150	88	110	18	Ø18x4	150	88	110	18	Ø18x4	150	88	110	18	Ø18x4
50	2"	61,5	3	140	90	110	16	Ø14x4	165	102	125	18	Ø18x4	165	102	125	20	Ø18x4	165	102	125	20	Ø18x4	165	102	125	20	Ø18x4
65	2 1/2"	77,5	3	160	110	130	16	Ø14x4	185	122	145	18	Ø18x4	185	122	145	20	Ø18x4	185	122	145	22	Ø18x8	185	122	145	22	Ø18x8
80	3"	90,5	3	190	128	150	18	Ø18x4	200	138	160	20	Ø18x8	200	138	160	20	Ø18x8	200	138	160	24	Ø18x8	200	138	160	24	Ø18x8
100	4"	116	3	210	148	170	18	Ø18x4	220	158	180	20	Ø18x8	220	158	180	22	Ø18x8	235	158	190	26	Ø22x8	235	158	190	26	Ø22x8
125	5"	141,5	3	240	178	200	20	Ø18x8	250	188	210	22	Ø18x8	250	188	210	22	Ø18x8	270	188	220	28	Ø26x8	270	188	220	28	Ø26x8
150	6"	170,5	3	265	202	225	20	Ø18x8	285	212	240	22	Ø22x8	285	212	240	24	Ø22x8	300	218	250	30	Ø26x8	300	218	250	30	Ø26x8
200	8"	221,5	3	320	258	280	22	Ø18x8	340	268	295	24	Ø22x8	340	268	295	26	Ø22x12	360	278	310	32	Ø26x12	375	285	320	36	Ø30x12
250	10"	276,5	3	375	312	335	24	Ø18x12	395	320	350	26	Ø22x12	405	320	355	29	Ø26x12	425	335	370	35	Ø30x12	450	345	385	42	Ø33x12
300	12"	327,5	4	440	365	395	24	Ø22x12	445	370	400	26	Ø22x12	460	378	410	32	Ø26x12	485	395	430	38	Ø30x16	515	410	450	52	Ø33x16
350	14"	359,5	4	490	415	445	26	Ø22x12	505	430	460	30	Ø22x16	520	438	470	35	Ø26x16	555	450	490	42	Ø33x16	580	465	510	58	Ø36x16
400	16"	411	4	540	465	495	28	Ø22x16	565	482	515	32	Ø26x16	580	490	525	38	Ø30x16	620	505	550	48	Ø36x16	660	535	585	65	Ø39x16
450	18"	462	4	595	523	550	30	Ø22x16	615	533	565	36	Ø26x20	640	550	585	42	Ø30x20	670	560	600	54	Ø36x20	685	565	610	65	Ø39x20
500	20"	513,5	4	645	570	600	30	Ø22x20	670	585	620	38	Ø26x20	715	610	650	46	Ø33x20	730	615	660	58	Ø36x20	755	615	670	72	Ø42x20
600	24"	616,5	5	755	670	705	32	Ø26x20	780	685	725	42	Ø30x20	840	725	770	55	Ø36x20	845	720	770	68	Ø39x20	890	735	795	84	Ø48x20
700	28"	717,5	5	860	775	810	40	Ø26x24	895	800	840	50	Ø30x24	910	795	840	63	Ø36x24	960	820	875	85	Ø42x24	995	840	900		Ø48x24
800	32"	819,5	5	975	880	920	44	Ø30x24	1015	905	950	56	Ø33x24	1025	900	950	74	Ø39x24	1085	930	990	95	Ø48x24	1140	960	1030		Ø56x24
900	36"	920	5	1075	980	1020	48	Ø30x24	1115	1005	1050	62	Ø33x28	1125	1000	1050	82	Ø39x28	1185	1030	1090		Ø48x28	1250	1070	1140		Ø56x28
1000	40"	1024	5	1175	1080	1120	52	Ø30x28	1230	1110	1160	70	Ø36x28	1255	1115	1170	90	Ø42x28	1320	1140	1210		Ø56x28	1360	1180	1250		Ø56x28

JIS NORMU FLANŞ ÖLÇÜLERİ / FLANGE DIMENSIONS ACC. TO JIS



DN	NPS	ØD_1	f	JIS 5 K				JIS 10 K				JIS 16 K						
				ØD	Øg	Øk	b	Ødxn	ØD	Øg	Øk	b	Ødxn	ØD	Øg	Øk	b	Ødxn
15	1/2"	22,2	1	80	44	60	9	Ø12x4	95	51	70	12	Ø15x4	95	51	70	12	Ø15x4
20	3/4"	27,5	1	85	49	65	10	Ø12x4	100	56	75	14	Ø15x4	100	56	75	14	Ø15x4
25	1"	34,5	1	95	59	75	10	Ø12x4	125	67	90	14	Ø19x4	125	67	90	14	Ø19x4
32	1 1/4"	43,5	2	115	70	90	12	Ø15x4	135	76	100	16	Ø19x4	135	76	100	16	Ø19x4
40	1 1/2"	49,5	2	120	75	95	12	Ø15x4	140	81	105	16	Ø19x4	140	81	105	16	Ø19x4
50	2"	61,5	2	130	85	105	14	Ø15x4	155	96	120	16	Ø19x4	155	96	120	16	Ø19x8
65	2 1/2"	77,5	2	155	110	130	14	Ø15x4	175	116	140	18	Ø19x4	175	116	140	18	Ø19x8
80	3"	90,5	2	180	121	145	14	Ø19x4	185	126	150	18	Ø19x8	200	132	160	20	Ø23x8
100	4"	116	2	200	141	165	16	Ø19x8	210	151	175	18	Ø19x8	225	160	185	22	Ø23x8
125	5"	141,5	2	235	176	200	16	Ø19x8	250	182	210	20	Ø23x8	270	195	225	22	Ø25x8
150	6"	170,5	2	265	206	230	18	Ø19x8	280	212	240	22	Ø23x8	305	230	260	24	Ø25x12
200	8"	221,5	2	320	252	280	20	Ø23x8	330	262	290	22	Ø23x12	350	275	305	26	Ø25x12
250	10"	276,5	2	385	317	345	22	Ø23x12	400	324	355	24	Ø25x12	430	345	380	28	Ø27x12
300	12"	327,5	3	430	360	390	22	Ø23x12	445	368	400	24	Ø25x16	480	395	430	30	Ø27x16
350	14"	359,5	3	480	403	435	24	Ø25x12	490	413	445	26	Ø25x16	540	440	480	34	Ø33x16
400	16"	411	3	540	463	495	24	Ø25x16	560	475	510	28	Ø27x16	605	495	540	38	Ø33x16
500	20"	513,5	3	655	573	605	24	Ø25x20	675	585	620	30	Ø27x20	730	615	660	42	Ø33x20



“AKIŞA BİZİMLE YÖN VERİN”
“Lead The Flow With Us”



PDF'i Görüntülemek
için QR kodu okutun



Merkez / Office

Evliya Çelebi Mah. Sahil Bulvarı
Elexia İş Merkezi No: 6 Kat:2 D:19
TUZLA İstanbul - Türkiye



Merkez / Depo

Evliya Çelebi Mah. Sahil Bulvarı
Elexia İş Merkezi No: 6 Kat: -1
TUZLA İstanbul - Türkiye

+90 216 759 89 79

info@dmgvalve.com

www.dmgvalve.com